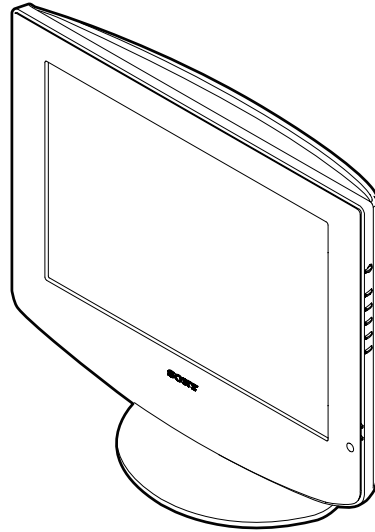


KLV-17HR2

SERVICE MANUAL

AEP Model



AT2 CHASSIS

SPECIFICATIONS

Display Unit:

Power Requirement:

100–240 V AC; 50/60 Hz

Screen Size: 17 inches

Approx. 43.4 cm measured
diagonally

Display Resolution:

1,280 dots (horizontal) x 768 lines
(vertical)

Power Consumption:

XX W

Standby Power Consumption:

X.X W or less

Dimensions (w x h x d):

Approx. 459.9 x 396.8 x 149.4 mm
(with stand)

Approx. 459.9 x 363 x 89.4 mm
(without stand)

Weight:

Approx. 5.7 kg (with stand)

Approx. 5.1 kg (without stand)

Panel System:

LCD (Liquid Crystal Display) Panel

TV System:

Depending on your country/region selection:
B/G/H, D/K, L, I

Colour System:

PAL, SECAM

NTSC 3.58, 4.43 (only Video In)

Aerial:

75 ohm external terminal for VHF/UHF

Channel Coverage:

VHF: E2–E12

UHF: E21–E69

CATV: S1–S20

HYPERS: S21–S41

D/K: R1–R12, R21–R69



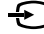



L: F2–F10, B–Q, F21–F69

I: UHF B21–B69

LCD Colour TV

SONY®

Terminals:


-  1 (SMARTLINK)
21-pin Scart connector (CENELEC standard) including audio/video input, RGB input, TV output, and SmartLink interface.
-  2
S video input (4-pin mini DIN):
Y: 1 Vp-p, 75 ohms unbalanced, sync negative
C: 0.286 Vp-p (Burst signal), 75 ohms
-  2
Video input (phono jack):
1 Vp-p, 75 ohms unbalanced, sync negative
-  2
Audio input (phono jacks):
500 m Vrms (100% modulation)
Impedance: 47 kilohms
-  Audio output (Left/Right) (phono jacks)
-  Headphones jack

Sound Output:

Full range speaker:
X.X W 2

Accessories Supplied:

- Remote control (RM-Y1101) (1)
- Size AA batteries (R6 type) (2)
- Coaxial cable (1)
- Mains lead (Type C-6) (1)
- Mains lead (Type BF) (1)
- AC adaptor (AC-FD004E) (1)

 The mains lead Type BF may not be supplied depending on the country/region.

Optional Accessory:

Wall-Mount Bracket SU-W210

Other Features:

- Teletext, Fastext, TOPtext
- Sleep Timer
- SmartLink (Direct link between your TV and a compatible VCR or DVD recorder. For more information on SmartLink, please refer to the instruction manual of your VCR or DVD recorder.)
- TV system autodetection
- Auto Format
- NextTVView (depending on availability of service)

SAFETY CHECK-OUT

After correcting the original service problem, perform the following safety checks before releasing the set to the customer:

1. Check the area of your repair for unsoldered or poorly-soldered connections. Check the entire board surface for solder splashes and bridges.
2. Check the interboard wiring to ensure that no wires are “pinched” or contact high-wattage resistors.
3. Check that all control knobs, shields, covers, ground straps, and mounting hardware have been replaced. Be absolutely certain that you have replaced all the insulators.
4. Look for unauthorized replacement parts, particularly transistors, that were installed during a previous repair. Point them out to the customer and recommend their replacement.
5. Look for parts which, though functioning, show obvious signs of deterioration. Point them out to the customer and recommend their replacement.
6. Check the line cords for cracks and abrasion. Recommend the replacement of any such line cord to the customer.
7. Check the B+ and HV to see if they are specified values. Make sure your instruments are accurate; be suspicious of your HV meter if sets always have low HV.
8. Check the antenna terminals, metal trim, “metallized” knobs, screws, and all other exposed metal parts for AC Leakage. Check leakage as described right.

LEAKAGE TEST

The AC leakage from any exposed metal part to earth ground and from all exposed metal parts to any exposed metal part having a return to chassis, must not exceed 0.5 mA (500 microamperes).

Leakage current can be measured by any one of three methods.

1. A commercial leakage tester, such as the Simpson 229 or RCA WT-540A. Follow the manufacturers’ instructions to use these instruments.
2. A battery-operated AC milliammeter. The Data Precision 245 digital multimeter is suitable for this job.
3. Measuring the voltage drop across a resistor by means of a VOM or battery-operated AC voltmeter. The “limit” indication is 0.75 V, so analog meters must have an accurate low-voltage scale. The Simpson 250 and Sanwa SH-63Trd are examples of a passive VOMs that are suitable. Nearly all battery operated digital multimeters that have a 2 V AC range are suitable. (See Fig. A)

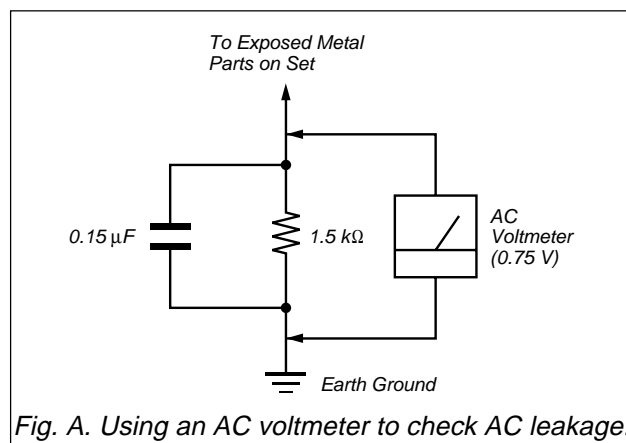


Fig. A. Using an AC voltmeter to check AC leakage.

WARNING!!

SAFETY-RELATED COMPONENT WARNING!!
COMPONENTS IDENTIFIED BY SHADING AND MARK \triangle ON THE SCHEMATIC DIAGRAMS, EXPLODED VIEWS AND IN THE PARTS LIST ARE CRITICAL FOR SAFE OPERATION. REPLACE THESE COMPONENTS WITH SONY PARTS WHOSE PART NUMBERS APPEAR AS SHOWN IN THIS MANUAL OR IN SUPPLEMENTS PUBLISHED BY SONY. CIRCUIT ADJUSTMENTS THAT ARE CRITICAL FOR SAFE OPERATION ARE IDENTIFIED IN THIS MANUAL. FOLLOW THESE PROCEDURES WHENEVER CRITICAL COMPONENTS ARE REPLACED OR IMPROPER OPERATION IS SUSPECTED.

AVERTISSEMENT!!

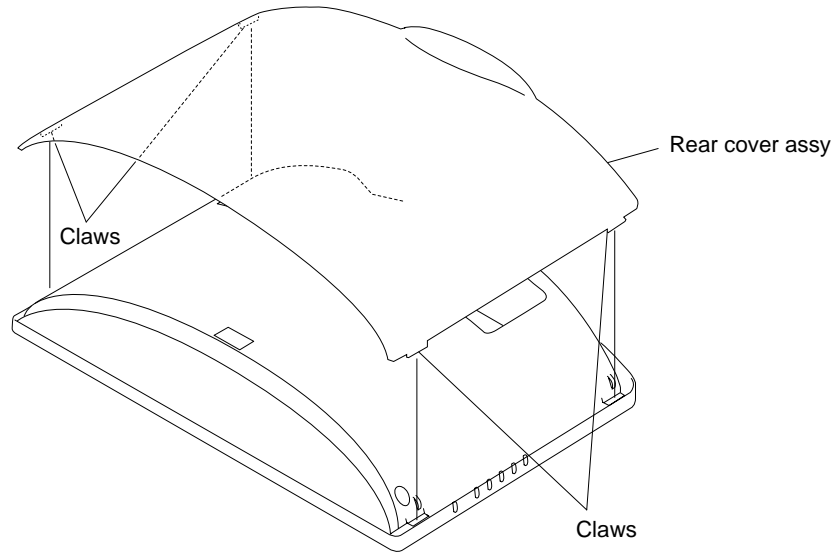
ATTENTION AUX COMPOSANTS RELATIFS À LA SÉCURITÉ!!
LES COMPOSANTS IDENTIFIÉS PAR UNE TRAME ET UNE MARQUE \triangle SONT CRITIQUES POUR LA SÉCURITÉ. NE LES REMPLACER QUE PAR UNE PIÈCE PORTANT LE NUMÉRO SPECIFIÉ. LES RÉGLAGES DE CIRCUIT DONT L'IMPORTANCE EST CRITIQUE POUR LA SÉCURITÉ DU FONCTIONNEMENT SONT IDENTIFIÉS DANS LE PRÉSENT MANUEL. SUIVRE CES PROCÉDURES LORS DE CHAQUE REMPLACEMENT DE COMPOSANTS CRITIQUES, OU LORSQU'UN MAUVAIS FONCTIONNEMENT EST SUSPECTÉ.

TABLE OF CONTENTS

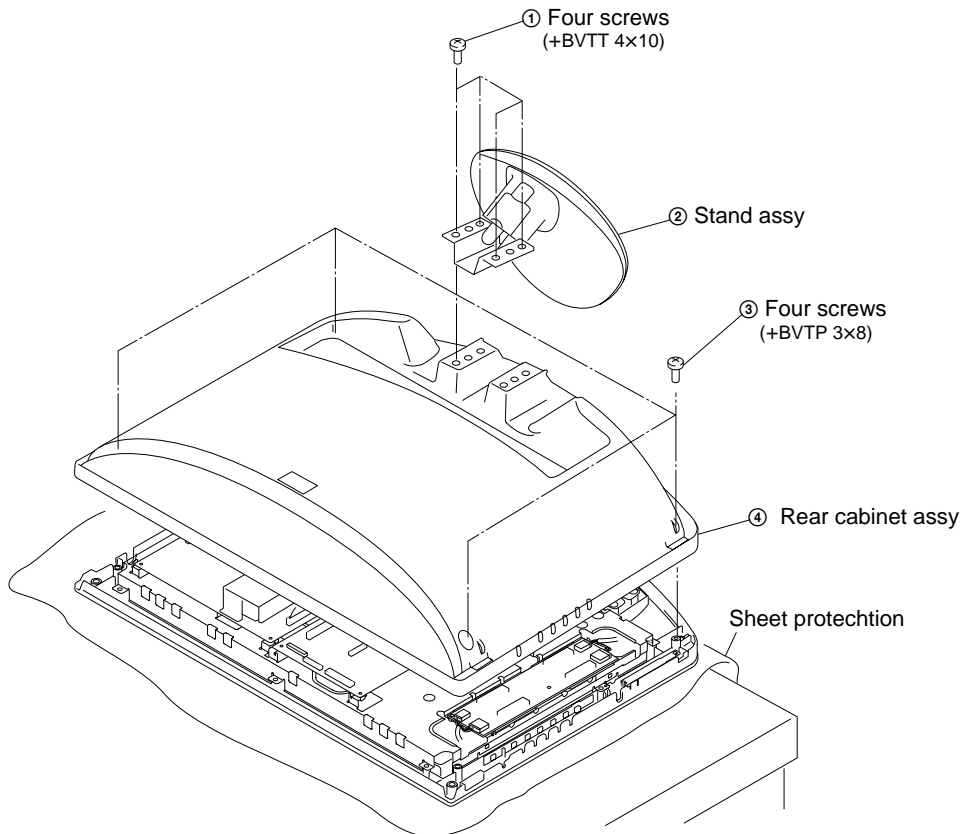
1. DISASSEMBLY	1-1
1-1. REAR COVER ASSY REMOVAL	1-1
1-2. REAR CABINET ASSY AND STAND ASSY REMOVAL	1-1
1-3. TU BOARD REMOVAL	1-2
1-4. A AND B BOARDS REMOVAL	1-2
1-5. D1 BOARD REMOVAL	1-3
1-6. H1 AND H3 BOARDS REMOVAL	1-3
1-7. LCD PANEL REMOVAL	1-4
1-8. H2 BOARD REMOVAL	1-4
2. ADJUSTMENTS	2-1
2-1. Adjustment of signal level.	2-1
2-1-1. Check AD calibration registration items.	2-1
2-1-2. Y signal AD calibration of 2163 decode.	2-1
2-1-3. C signal AD calibration of 2163 decode.	2-1
2-1-4. Check AD calibration registration items.	2-2
2-1-5. Y signal AD calibration of CCP2 decode.	2-2
2-1-6. C signal AD calibration of CCP2 decode.	2-2
2-2. White Balance Adjustment	2-2
2-2-1. White Balance of color temperature “normal” ...	2-2
2-2-2. White Balance of color temperature “cool”	2-3
2-2-3. White Balance of color temperature “warm”	2-3
3. DIAGRAMS	3-1
3-1. CIRCUIT BOARDS LOCATION	3-1
3-2. SCHEMATIC DIAGRAMS AND PRINTED WIRING BOARDS	3-1
(1) A Board	3-2
(2) B Board	3-7
(3) D1 Board	3-11
(4) H1, H2 and H3 Boards	3-12
(5) TU Board	3-13
3-3. SEMICONDUCTORS	3-14
4. EXPLODED VIEWS	4-1
4-1. CHASSIS	4-2
4-2. PACKING MATERIALS	4-3
5. ELECTRICAL PARTS LIST	5-1

SECTION 1 DISASSEMBLY

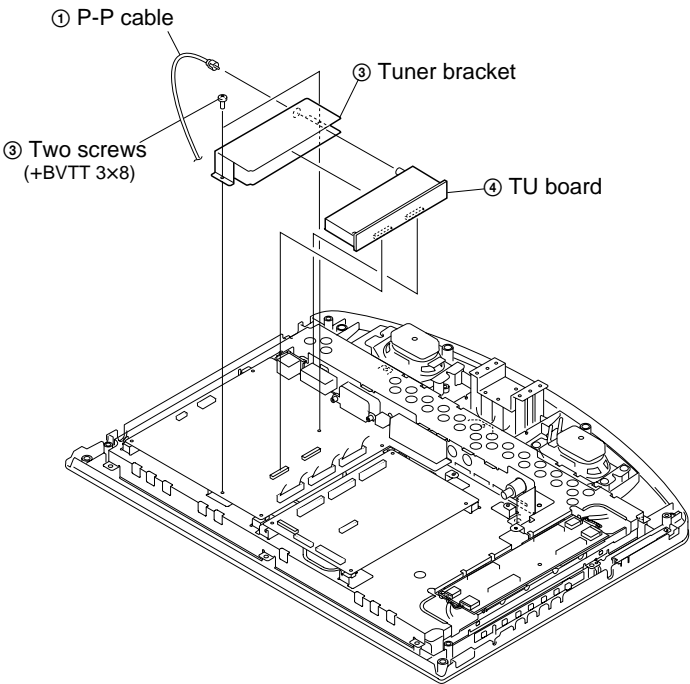
1-1. REAR COVER ASSY REMOVAL



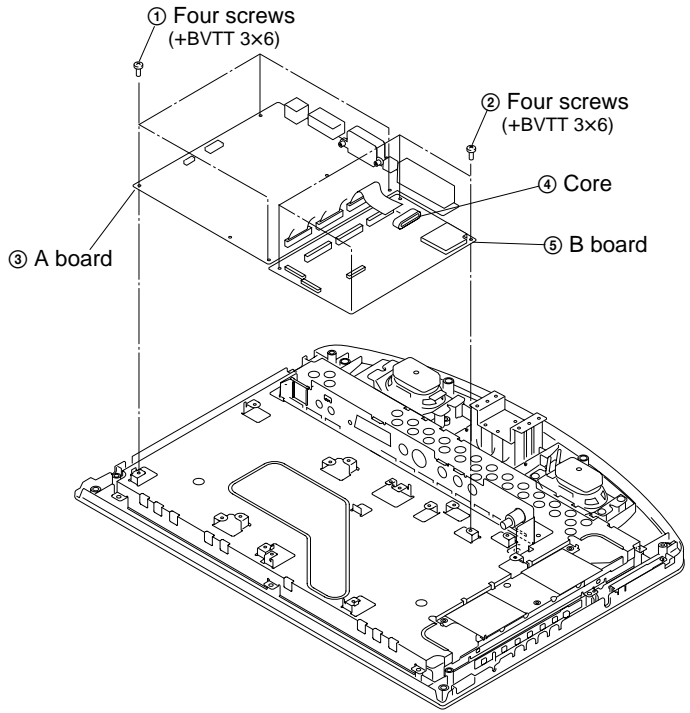
1-2. REAR CABINET ASSY AND STAND ASSY REMOVAL



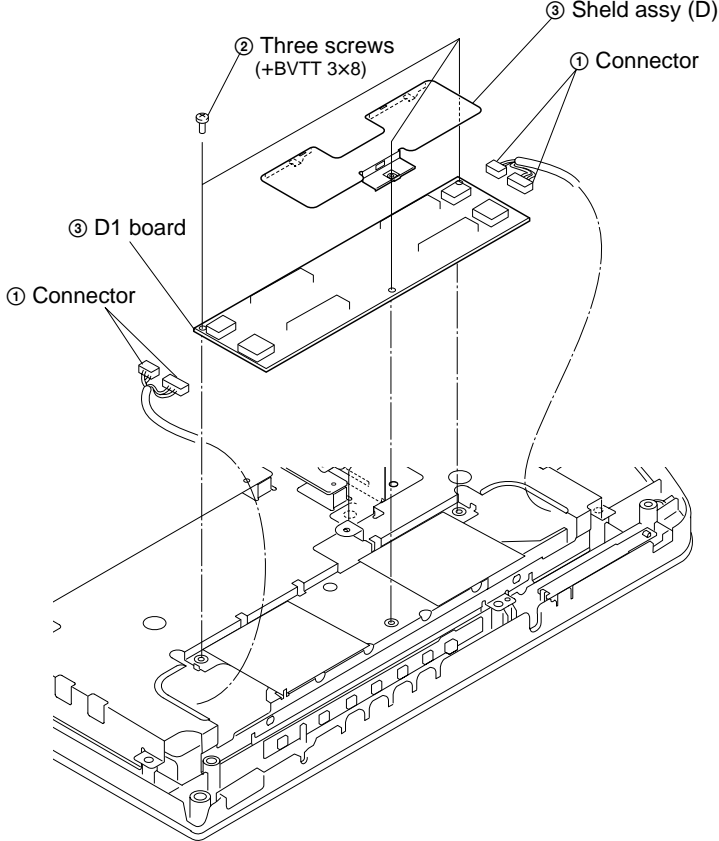
1-3. TU BOARD REMOVAL



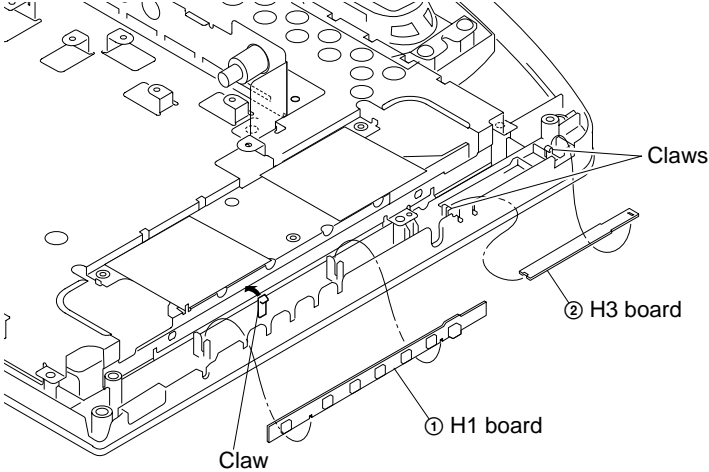
1-4. A AND B BOARDS REMOVAL



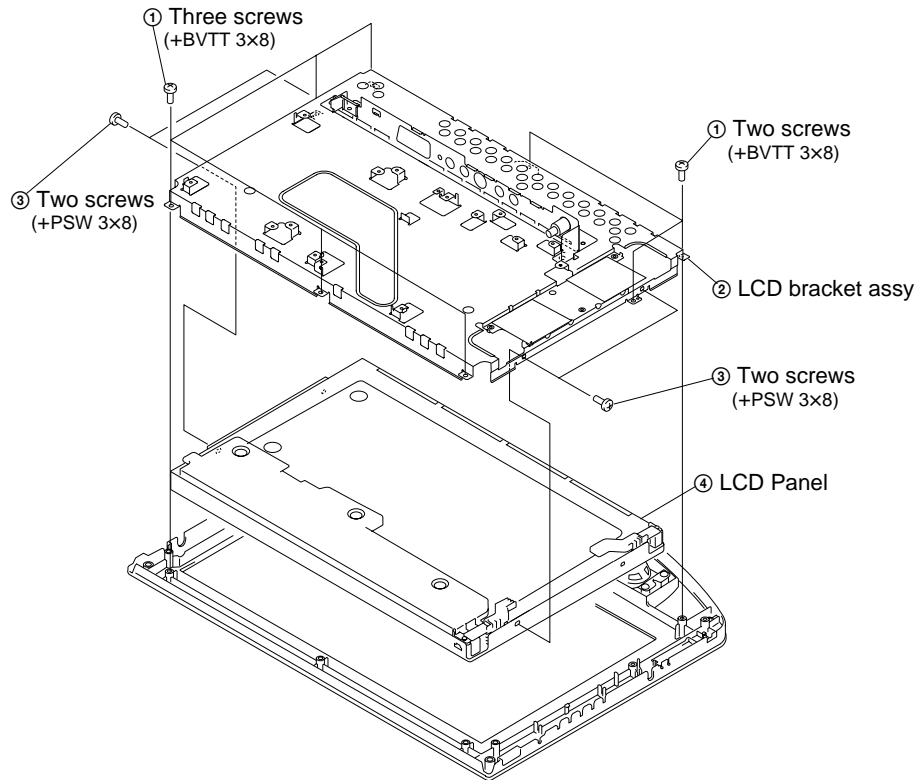
1-5. D1 BOARD REMOVAL



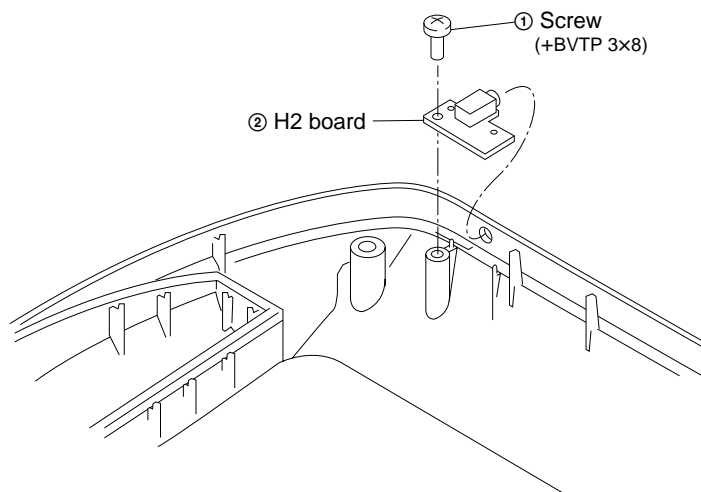
1-6. H1 AND H3 BOARDS REMOVAL



1-7. LCD PANEL REMOVAL



1-8. H2 BOARD REMOVAL



SECTION 2 ADJUSTMENTS

< PREPARATIONS >

1. Aging
 - Input no signal and set the monitor to aging mode.
 - Aging Setting
MON_CON_REG_2 = 185
2. Aging condition
 - Power supply : 220-240 V (50/60Hz)
 - Time : More than 10 minutes
 - Temperature : 22°C to 28°C
 - Luminance : On aging mode setting

Note:

When the power is cycled between aging and W/B adjustment, perform the aging in 30sec or more before the W/B adjustment.

2-1. Adjustment of signal level.

2-1-1. Check AD calibration registration items.

1. Select AV1 and input PAL signal.
Check that follows items are default .
<Check registration items>

TARGET_PW_IN_Y
ADJ_Y_DEADBAND
ADJ_Y_LOOPATTEN
TARGET_PW_IN_C
ADJ_C_DEADBAND
ADJ_C_LOOPATTEN
AD_ADJ_TIME_OUT
AD_COLOR_OFFSET_TV
AD_COLOR_OFFSET_AV1C
AD_COLOR_OFFSET_AV1RGB
AD_COLOR_OFFSET_AV2C
AD_COLOR_OFFSET_AV2YC
AD_COLOR_OFFSET_AV3C
AD_COLOR_OFFSET_AV3YC

2-1-2. Y signal AD calibration of 2163 decode.

1. Check "MON_CON_REG 1" = 1
(TIMING_AUTO_DETECT is enable)
2. Set data as follows.
<Setting data>

COLOR	25
DYNA_PICT	0 (OFF)
DC_TRAN	0 (OFF)

3. Input 0 IRE black full field with burst in video input .
4. Send "READ_PW_INPUT_Y" command from ECS.
5. Check thgat the detection value of "PW_INPUT_Y" is within the standard of the following column.
<Video(composit) input detection value average on 0 IRE black full field>

Item	Standard
PW_INPUT_Y	15 ± 5

6. Input 100 IRE white full field with burst.
7. Send "ADJUST_Y_LEVEL_VIDEO" command from ECS.
The Y_LEVEL_CCP2_04 registration of the video range is adjusted automatic by this command.
Adjustment value also is copied in the TV and S video range.
8. Check that the detection value of "PW_INPUT_Y" is within the standard of the following column.
<Video(composit) input detection value average on 100 IRE white full field>

Item	Standard
PW_INPUT_Y	190 ± 5

2-1-3. C signal AD calibration of 2163 decode.

1. Check "MON_CON_REG 1" = 1
(TIMING_AUTO_DETECT is enable)
2. Set data as follows.

<Setting data>

COLOR	25
DYNA_PICT	0 (OFF)
DC_TRAN	0 (OFF)

3. Input 0 IRE black full field with burst in video input .
4. Send "READ_PW_INPUT_CB" command from ECS.
5. Check thgat the detection value of "PW_INPUT_CB" is within the standard of the following column.
<Video(composit) input detection value average on 0 IRE black full field>

Item	Standard
PW_INPUT_CB	128 ± 5

6. Input blue full field with burst.
7. Send "ADJUST_C_LEVEL_VIDEO" command from ECS.
The C_LEVEL_CCP2_05 registration of the video range is adjusted automatic by this command.
The value that increased and redused offset data is copied in the TV and S video range.
8. Check that the detection value of "PW_INPUT_CB" is within the standard of the following column.
<Video(composit) input standard value on blue full field>

Item	Standard
PW_INPUT_CB	190 ± 3

9. Input red full field with burst.
10. Send "READ_PW_INPUT_CR" command from ECS.
11. Check that the detection value of "PW_INPUT_CR" is within the standard of the following column.
<Video(composit) input standard value on red full field>

Item	Standard
PW_INPUT_CR	Adjustment value of PW_INPUT_CB ± 5

2-1-4. Check AD calibration registration items.

1. Select AV2 and input PAL signal.
Check that follows items are default .

<Check registration items>

TARGET_PW_IN_Y
ADJ_Y_DEADBAND
ADJ_Y_LOOPATTEN
TARGET_PW_IN_C
ADJ_C_DEADBAND
ADJ_C_LOOPATTEN
AD_ADJ_TIME_OUT
AD_COLOR_OFFSET_TV
AD_COLOR_OFFSET_AV1C
AD_COLOR_OFFSET_AV1RGB
AD_COLOR_OFFSET_AV2C
AD_COLOR_OFFSET_AV2YC
AD_COLOR_OFFSET_AV3C
AD_COLOR_OFFSET_AV3YC

2-1-5. Y signal AD calibration of CCP2 decode.

1. Check “MON_CON_REG 1” = 1
(TIMING_AUTO_DETECT is enable)
2. Set data as follows.

<Setting data>

COLOR	25
DYNA_PICT	0 (OFF)
DC_TRAN	0 (OFF)

3. Input 0 IRE black full field with burst in video input .
4. Send “READ_PW_INPUT_Y” command from ECS.
5. Check thgat the detection value of “PW_INPUT_Y” is within the standard of the following column.

<Video(composit) input detection value average on 0 IRE black full field>

Item	Standard
PW_INPUT_Y	190 ± 5

6. Input 100 IRE white full field with burst.
7. Send “ADJUST_Y_LEVEL_VIDEO” command from ECS.
The Y_LEVEL_CCP2_04 registration of the video range is adjusted automatic by this command.
Adjustment value also is copied in the TV and S video range.
8. Check that the detection value of “PW_INPUT_Y” is within the standard of the following column.

<Video(composit) input detection value average on 100 IRE white full field>

Item	Standard
PW_INPUT_Y	190 ± 5

2-1-6. C signal AD calibration of CCP2 decode.

1. Check “MON_CON_REG 1” = 1
(TIMING_AUTO_DETECT is enable)
2. Set data as follows.

<Setting data>

COLOR	25
DYNA_PICT	0 (OFF)
DC_TRAN	0 (OFF)

3. Input 0 IRE black full field with burst in video input .
4. Send “READ_PW_INPUT_CB” command from ECS.
5. Check thgat the detection value of “PW_INPUT_CB” is within the standard of the following column.

<Video(composit) input detection value average on 0 IRE black full field>

Item	Standard
PW_INPUT_CB	128 ± 5

6. Input blue full field with burst.
7. Send “ADJUST_C_LEVEL_VIDEO” command from ECS.
The C_LEVEL_CCP2_05 registration of the video range is adjusted automatic by this command.
The value that increased and redused offset data is copied in the TV and S video range.
8. Check that the detection value of “PW_INPUT_CB” is within the standard of the following column.

<Video(composit) input standard value on blue full field>

Item	Standard
PW_INPUT_CB	190 ± 3

9. Input red full field with burst.
10. Send “READ_PW_INPUT_CR” command from ECS.
11. Check that the detection value of “PW_INPUT_CR” is within the standard of the following column.

<Video(composit) input standard value on blue full field>

Item	Standard
PW_INPUT_CR	Adjustment value of PW_INPUT_CB ± 5

2-2. White Balance Adjustment

2-2-1. White Balance of color temperature “normal”

1. After setting PICTURE_MODE=2(Personal) set data as follows.

<Confirmation of setting data>

Save system	Item
Picture Save	PICTURE =100 (Max) BRIGHTNESS=50 (Center) COLOR_INDEX=1 (“Normal”) DYNA_PICT=0 DC_TRAN=0 GAMMA=0 U_BACKLIGHT=10 (Max)
Default Save	ECO_MODE=1 (Standard)
Color Save	R_DRIVE=128 G_DRIVE=128 B_DRIVE=128 R_BKG=128 G_BKG=128 B_BKG=128

2. Input 70 IRE gray full field signal in video input (AV1).

- Adjust R_DRIVE, B_DRIVE until high light adjustment value.

<high light adjustment value (9000K)>

	KLV-15SR2	KLV-17HR2	range
x	0.287	0.286	0.8JND
y	0.296	0.294	0.8JND
Y	–	–	N/A

- Input 20 IRE gray full field signal in video input (AV1).
- Adjust R_BKG, B_BKG until low light adjustment value.

<low light adjustment value (9000K)>

	KLV-15SR2	KLV-17HR2	range
x	0.289	0.286	1.0JND
y	0.289	0.292	1.0JND
Y	–	–	N/A

- Repeat step 2-1-6 until it is high and low light adjustment value.
- Do “Color Save”

2-2-2. White Balance of color temperature “cool”

- Set COLOR_INDEX = 0 (cool)
- Set data as follows.

<Confirmation of setting data>

Save system	Item
Color Save	R_DRIVE =128
	G_DRIVE =128
	B_DRIVE =128
	R_BKG =128
	G_BKG =128
	B_BKG =128

- Input 70 IRE gray full field signal in video input (AV1).
- Adjust R_DRIVE, B_DRIVE until high light adjustment value.

<high light adjustment value (11000K)>

	KLV-15SR2	KLV-17HR2	range
x	0.277	0.276	0.8JND
y	0.282	0.280	0.8JND
Y	–	–	N/A

- Input 20 IRE gray full field signal in video input (AV1).
- Adjust R_BKG, B_BKG until low light adjustment value.

<low light adjustment value (11000K)>

	KLV-15SR2	KLV-17HR2	range
x	0.270	0.270	1.0JND
y	0.279	0.278	1.0JND
Y	–	–	N/A

- Repeat step 2-1-6 until it is high and low light adjustment value.
- Do “Color Save”

2-2-3. White Balance of color temperature “warm”

- Set COLOR_INDEX = 2 (warm)
- Set data as follows.

<Confirmation of setting data>

Save system	Item
Color Save	R_DRIVE =128
	G_DRIVE =128
	B_DRIVE =128
	R_BKG =128
	G_BKG =128
	B_BKG =128

- Input 70 IRE gray full field signal in video input (AV1).
- Adjust R_DRIVE, B_DRIVE until high light adjustment value.

<high light adjustment value (8000K)>

	KLV-15SR2	KLV-17HR2	range
x	0.299	0.298	0.8JND
y	0.302	0.300	0.8JND
Y	–	–	N/A

- Input 20 IRE gray full field signal in video input (AV1).
- Adjust R_BKG, B_BKG until low light adjustment value.

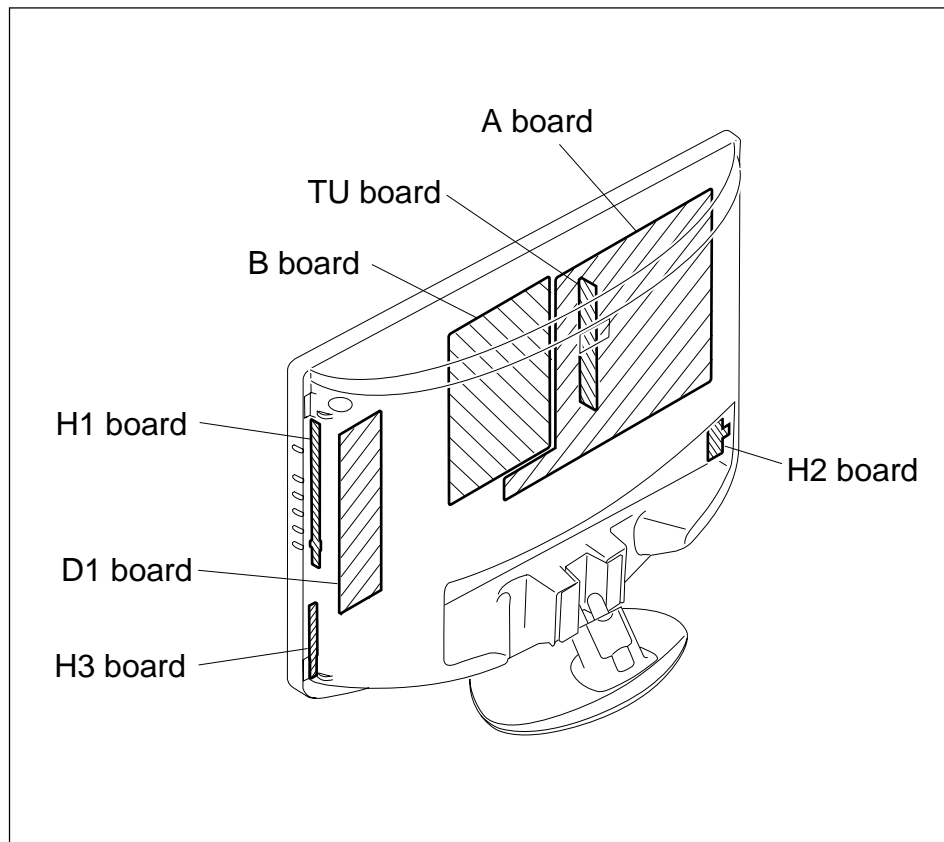
<low light adjustment value (8000K)>

	KLV-15SR2	KLV-17HR2	range
x	0.297	0.297	1.0JND
y	0.293	0.302	0.8JND
Y	–	–	N/A

- Repeat step 2-1-6 until it is high and low light adjustment value.
- Do “Color Save”

SECTION 3 DIAGRAMS

3-1. CIRCUIT BOARDS LOCATION



3-2. SCHEMATIC DIAGRAMS AND PRINTED WIRING BOARDS

Note:

- All capacitors are in μF unless otherwise noted. (pF : $\mu\mu\text{F}$)
Capacitors without voltage indication are all 50 V.
- Indication of resistance, which does not have one for rating electrical power, is as follows.

Pitch: 5 mm

Rating electrical power 1/4 W (CHIP : 1/10 W)

- All resistors are in ohms.
- : nonflammable resistor.
- : fusible resistor.
- : internal component.
- : panel designation, and adjustment for repair.
- All variable and adjustable resistors have characteristic curve B, unless otherwise noted.
- \perp : earth-ground.
- : earth-chassis.
- When replacing the part in below table, be sure to perform the related adjustment.
- All voltages are in V.
- Readings are taken with a 10 M digital multimeter.
- Readings are taken with a color-bar signal input.
- Voltage variations may be noted due to normal production tolerances.
- * : Can not be measured.
- Circled numbers are waveform references.
- : B + bus.
- : B - bus.

Note: The components identified by shading and mark Δ are critical for safety. Replace only with part number specified.

Note: Les composants identifiés par un tramé et une marque Δ sont critiques pour la sécurité. Ne les remplacer que par une pièce portant le numéro spécifié.

Terminal name of semiconductors in silk screen printed circuit (*)

	Device	Printed symbol	Terminal name	Circuit
①	Transistor		Collector Base Emitter	
②	Transistor		Collector Base Emitter	
③	Diode		Cathode Anode	
④	Diode		Cathode Anode (NC)	
⑤	Diode		Cathode Anode (NC)	
⑥	Diode		Common Anode Cathode	
⑦	Diode		Common Anode Cathode	
⑧	Diode		Common Anode Anode	
⑨	Diode		Common Anode Anode	
⑩	Diode		Common Cathode Cathode	
⑪	Diode		Common Cathode Cathode	
⑫	Diode		Anode Anode Cathode Anode	
⑬	Transistor (FET)		Drain Source Gate	
⑭	Transistor (FET)		Drain Source Gate	
⑮	Transistor (FET)		Source Drain Gate	
⑯	Transistor		Emitter Collector Base	
⑰	Transistor		C2/B1/E1 E2/B2/C1	
⑱	Transistor		C1/B2/E2 E1/B1/C2	
⑲	Transistor		C1 B2 E2 E1 B1 C2	
⑳	Transistor		C1 B2 E2 E1 B1 C2	
㉑	Transistor		E2 B1 E1 C2 C1(B2)	
㉒	Transistor		(B2) B1 E1 E2 C1 C2	
㉓	Transistor		(B2) E2 E1 B1 C2 C1	
—	Discrete semiconductor			

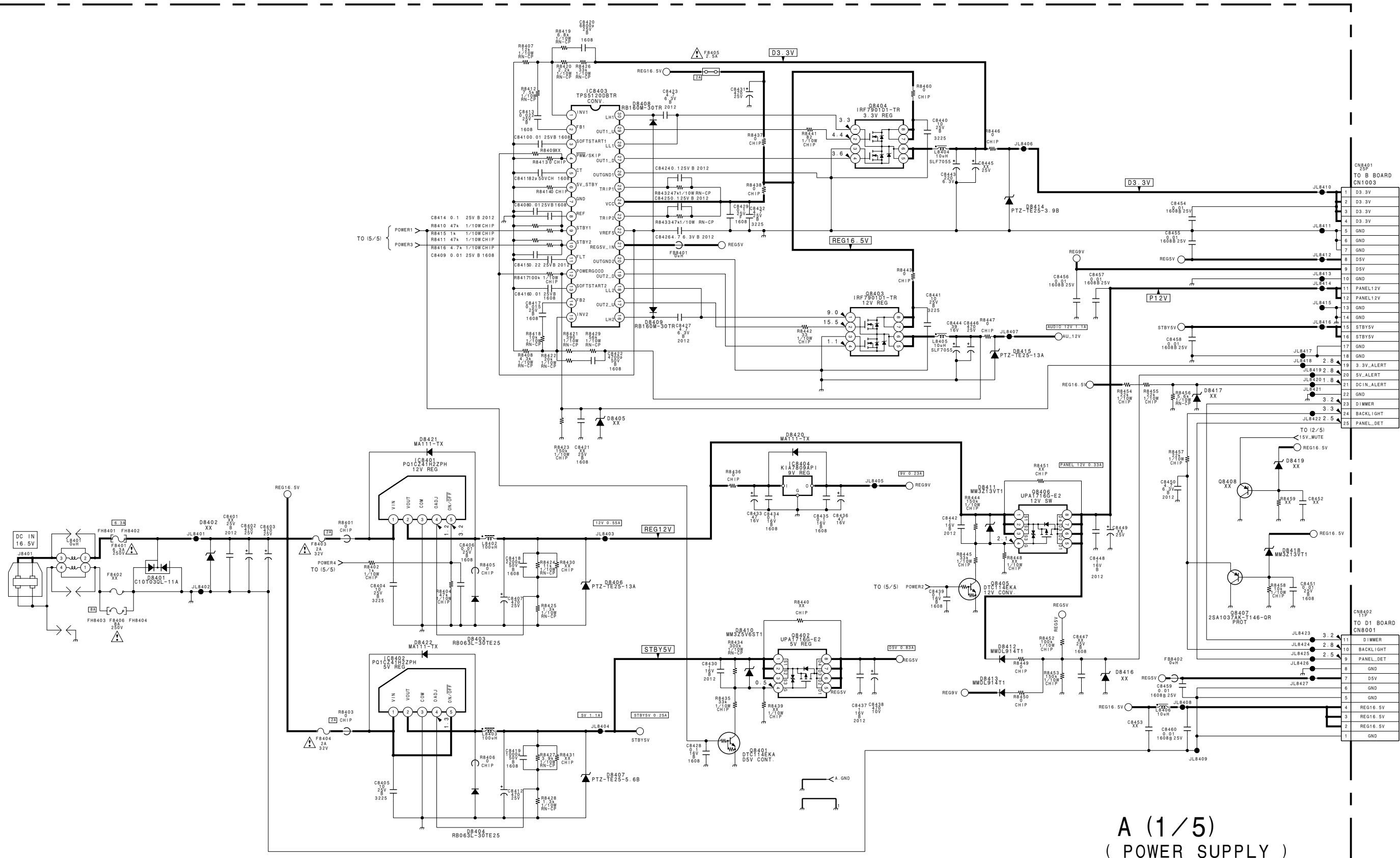
(Chip semiconductors that are not actually used are included.)

Ver.1.6

(1) A Board

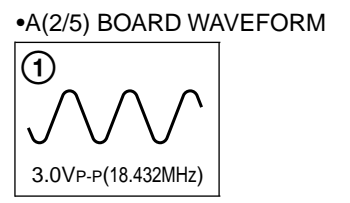
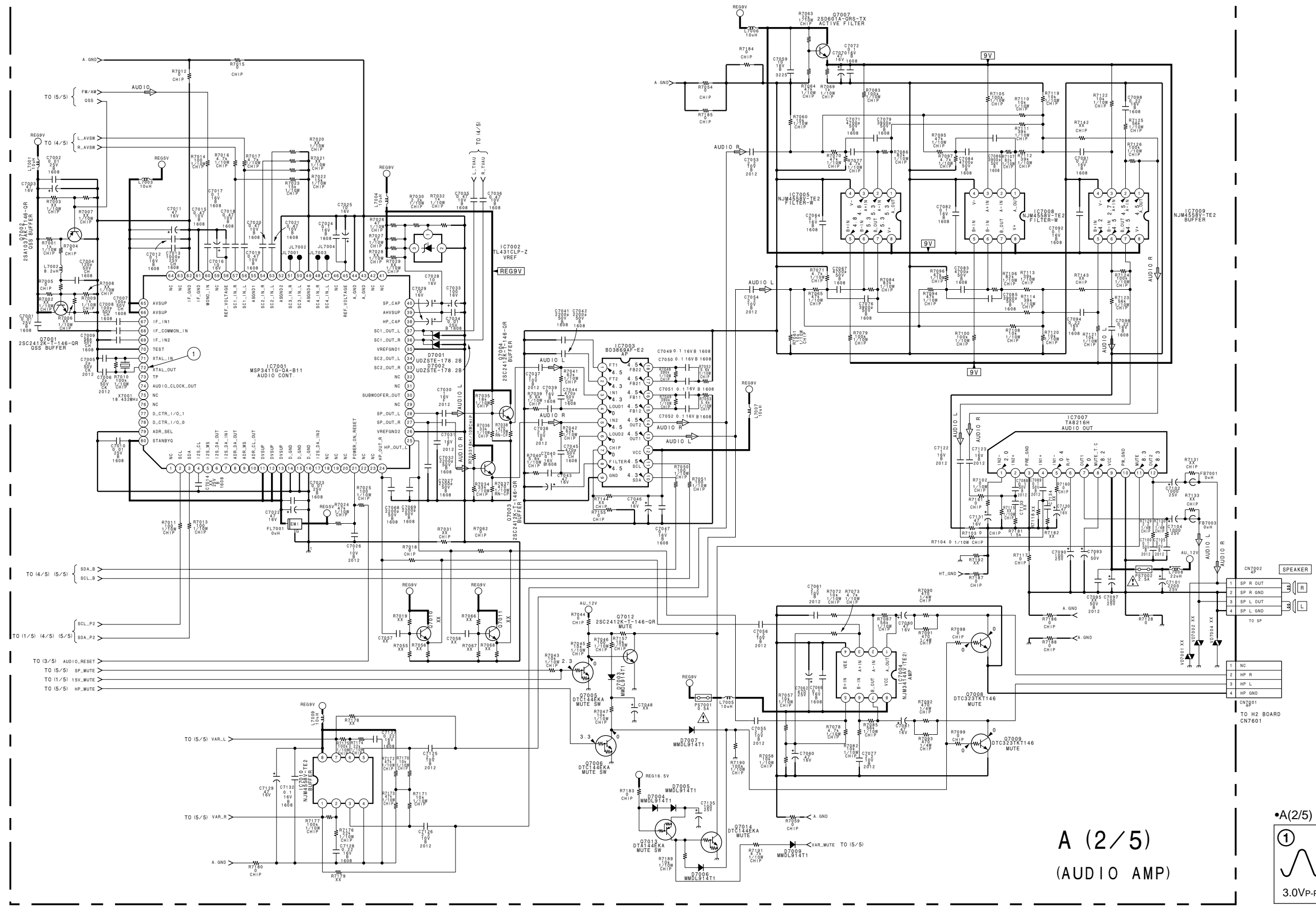
1 2 3 4 5 6 7 8 9 10 11 12 13 14 15

A
B
C
D
E
F
G
H
I
J
K

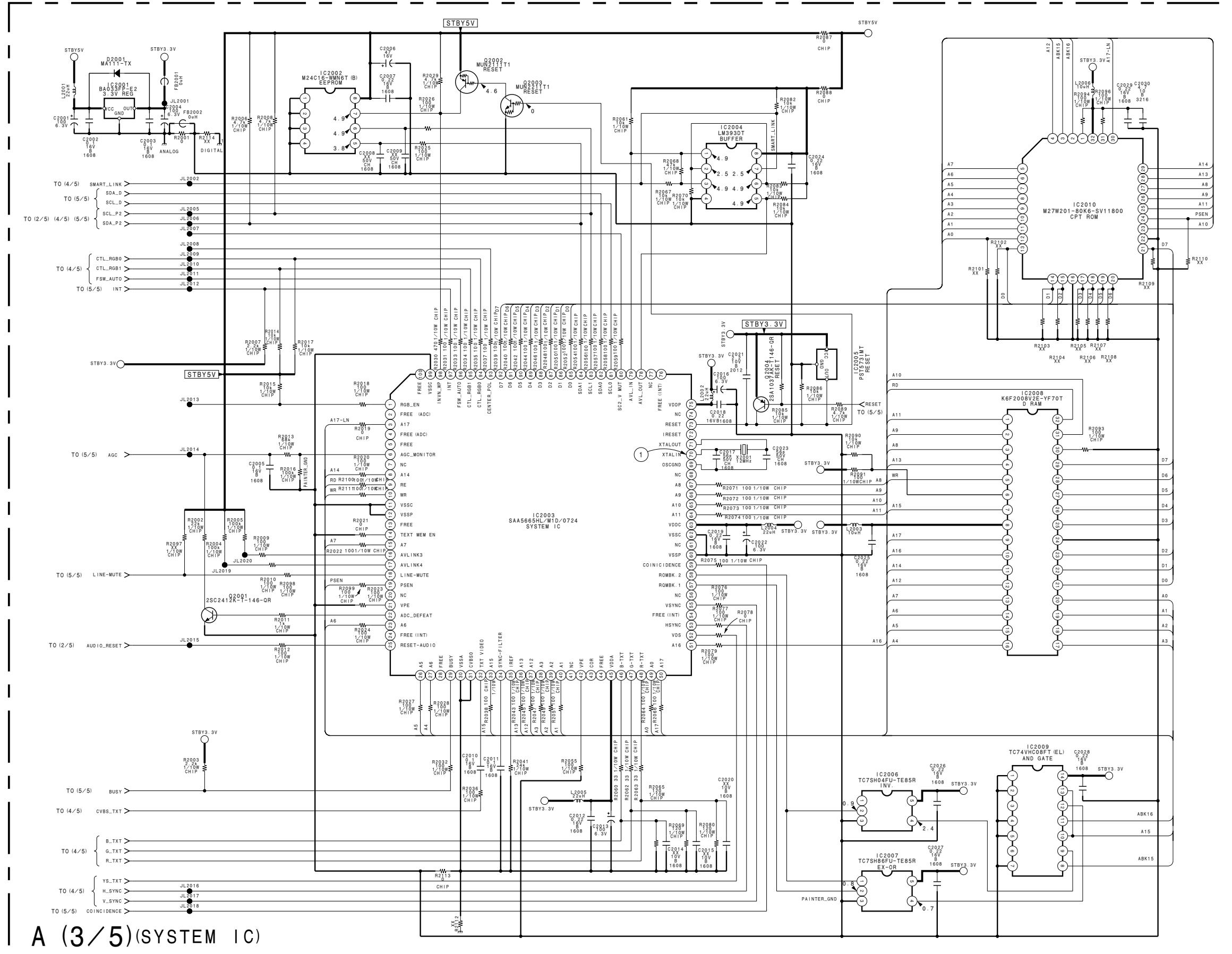


A (1/5)
(POWER SUPPLY)

B-SS11802-AEP-A...-P1

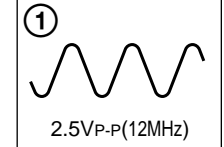


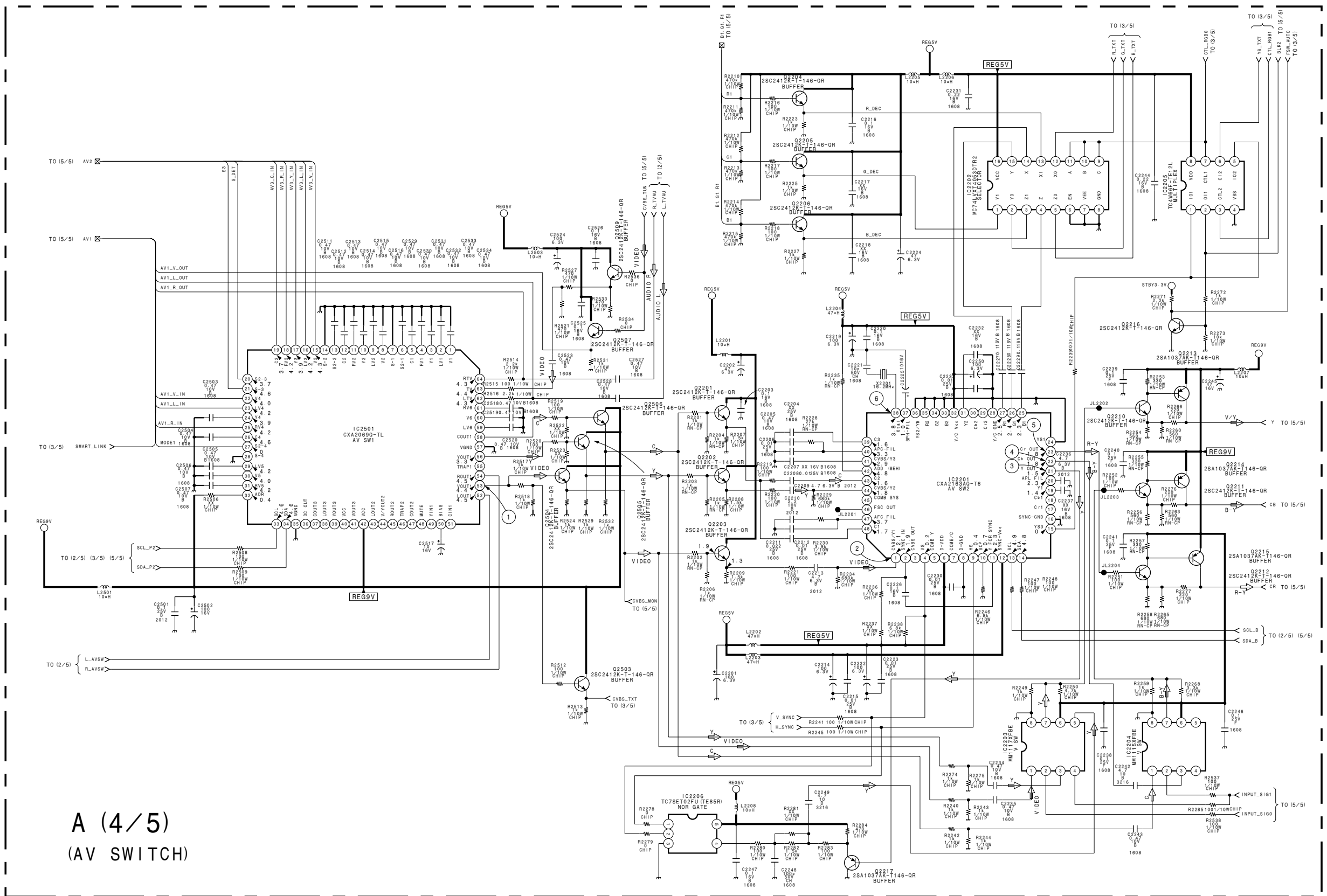
B-SS11802(AEP)-A...P2



A (3/5) (SYSTEM IC)

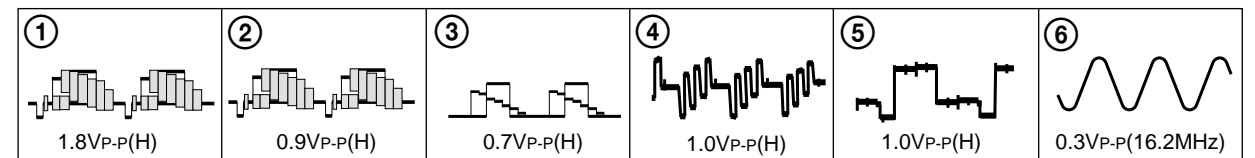
•A(3/5) BOARD WAVEFORM



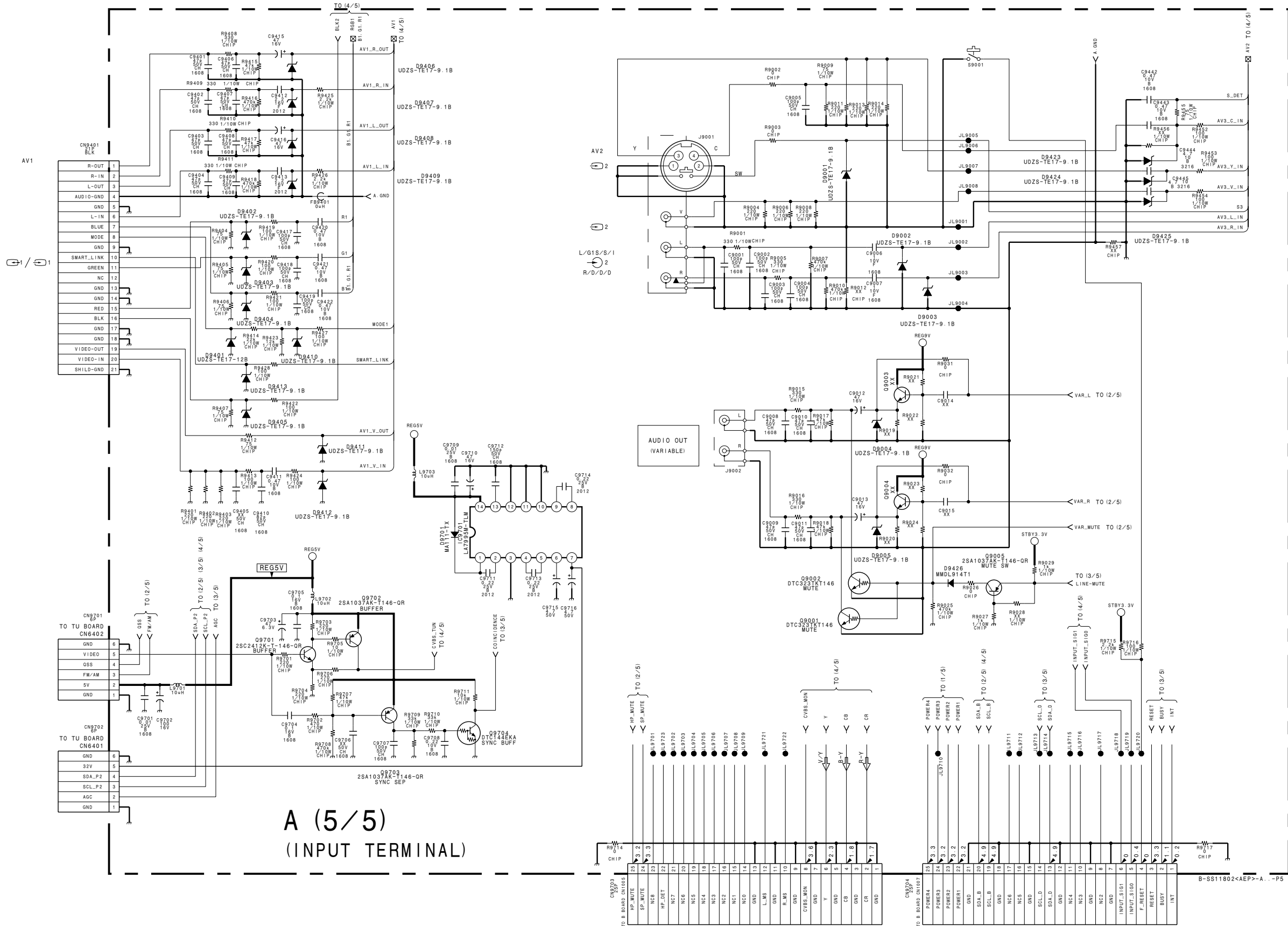


A (4/5)
(AV SWITCH)

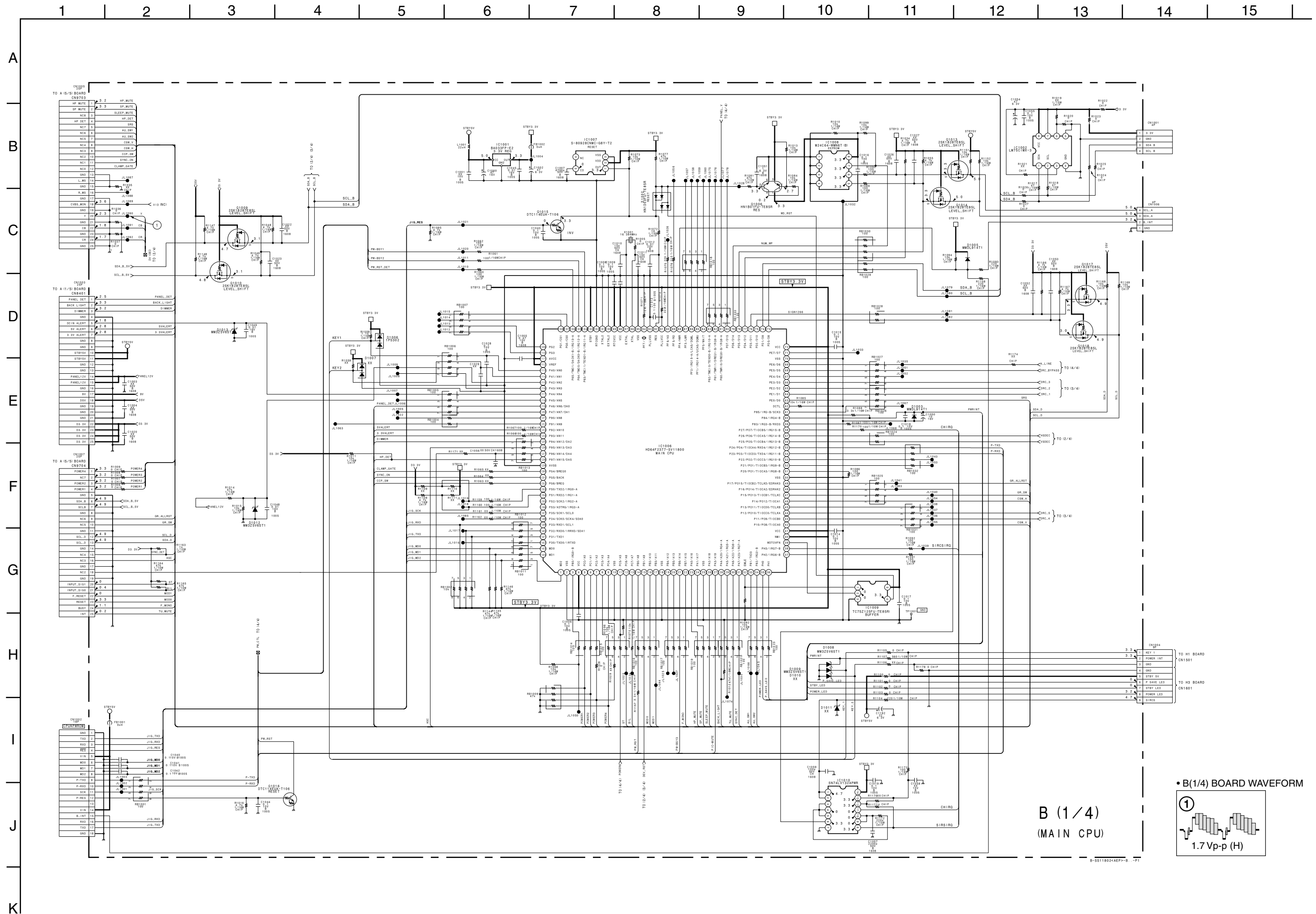
•A(4/5) BOARD WAVEFORMS



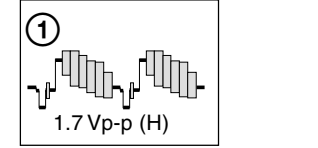
B-SS11802AEP>A...P4



(2) B Board



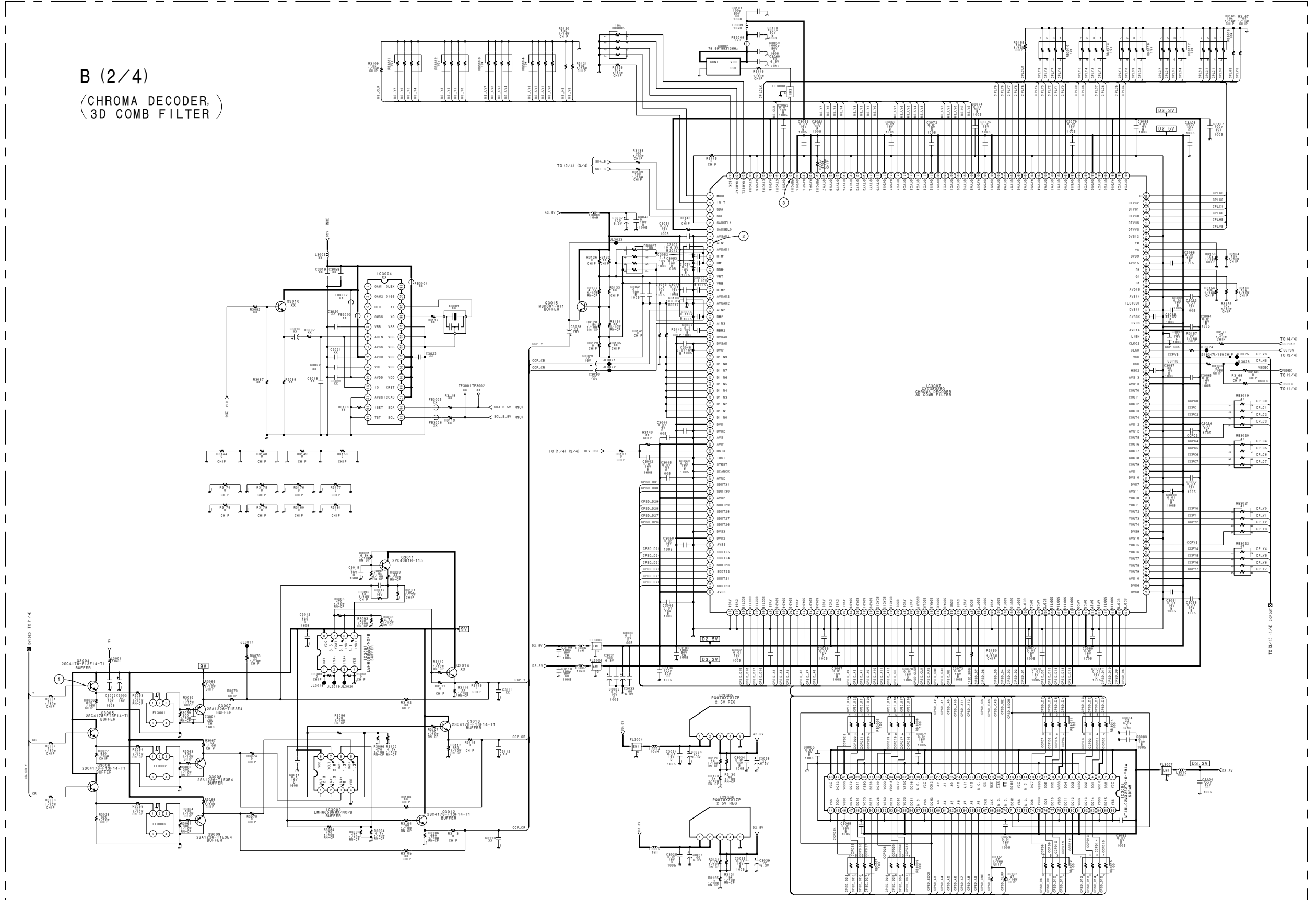
• B(1/4) BOARD WAVEFORM



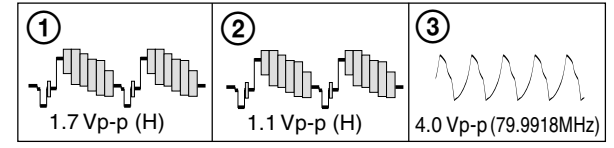
B (1/4)
(MAIN CPU)

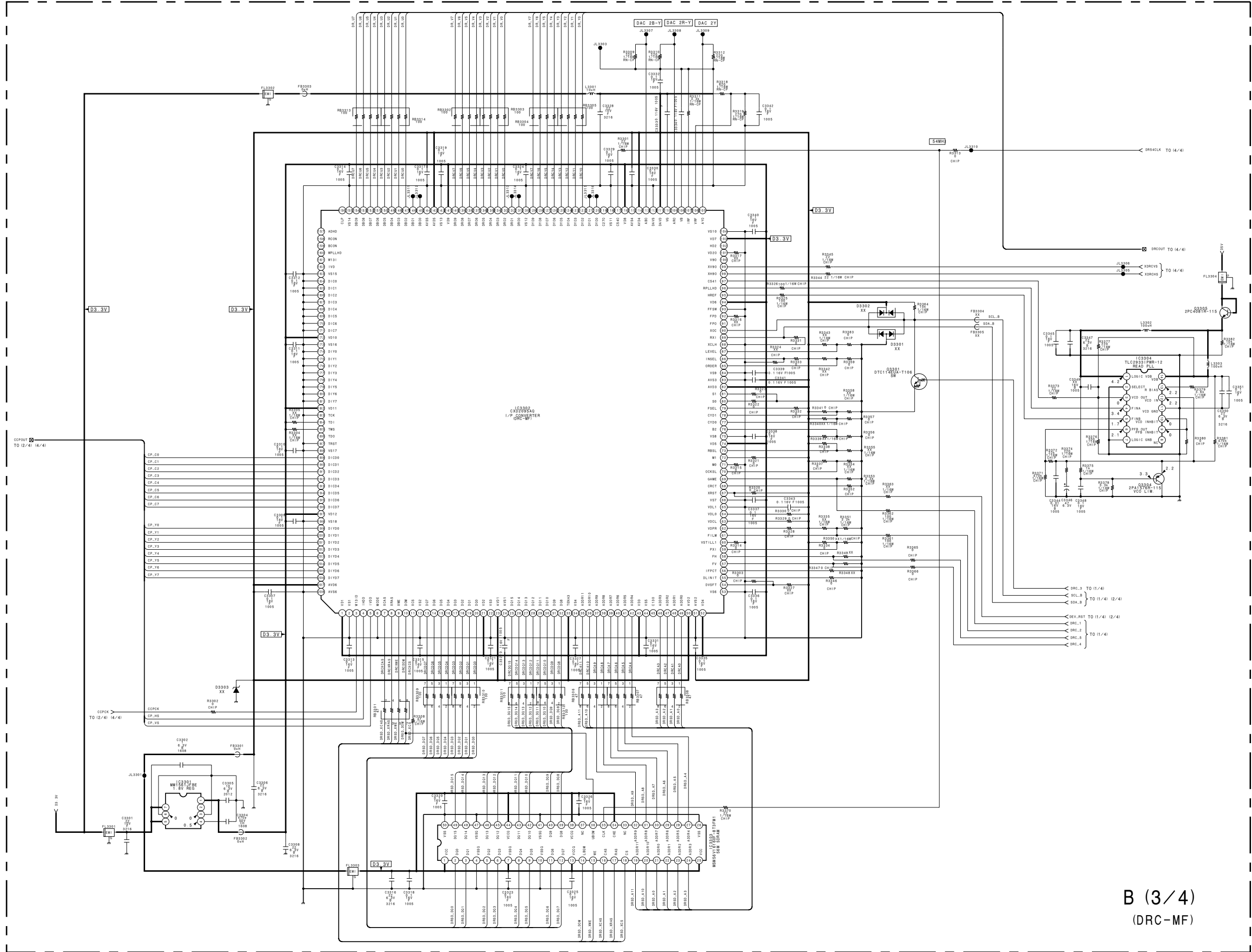
B-5511802KAP-B-1P1

B (2/4)
(CHROMA DECODER,
3D COMB FILTER)

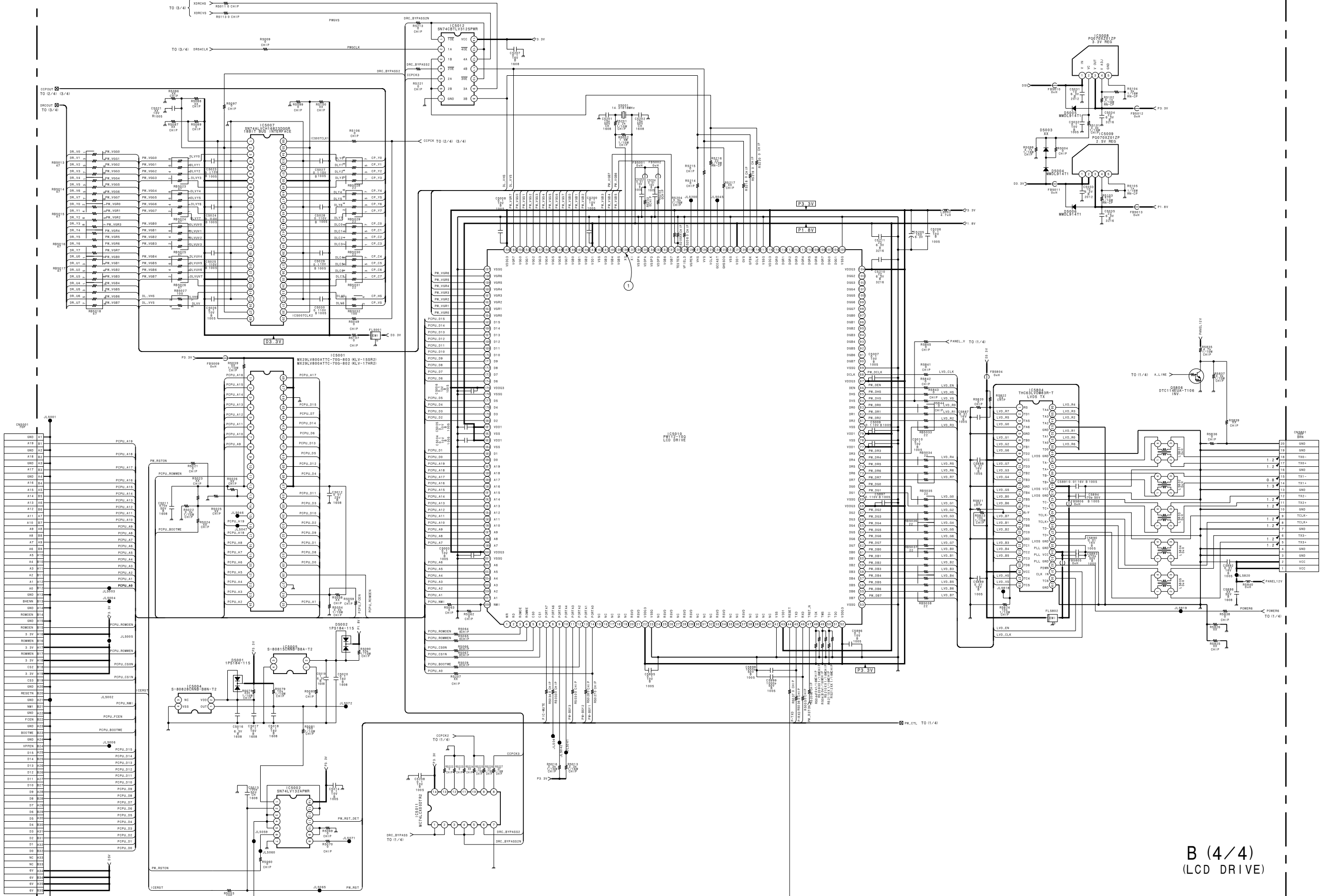


• B(2/4) BOARD WAVEFORMS



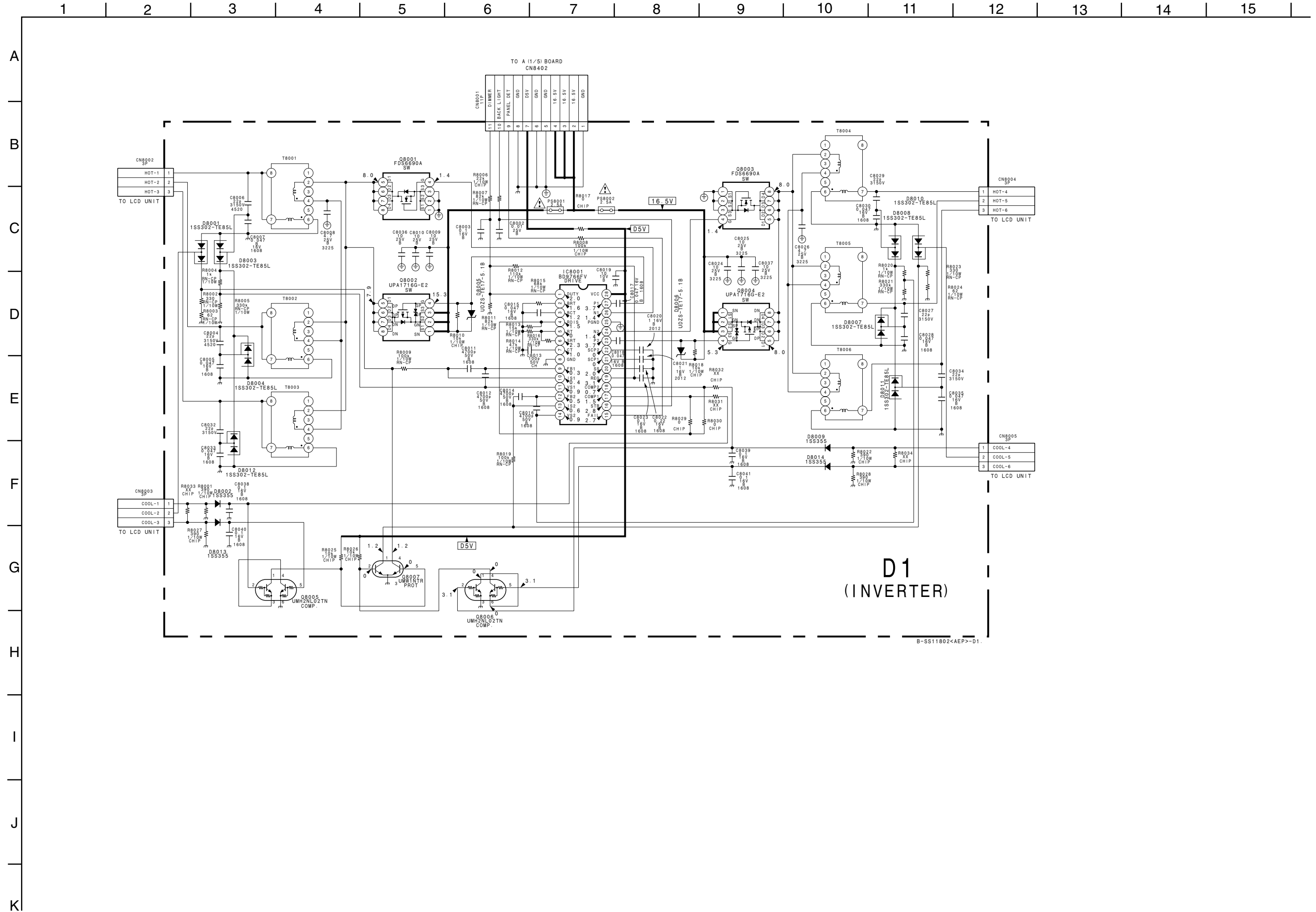


B (3/4)
(DRC-MF)



B (4/4)
LCD DRIVE

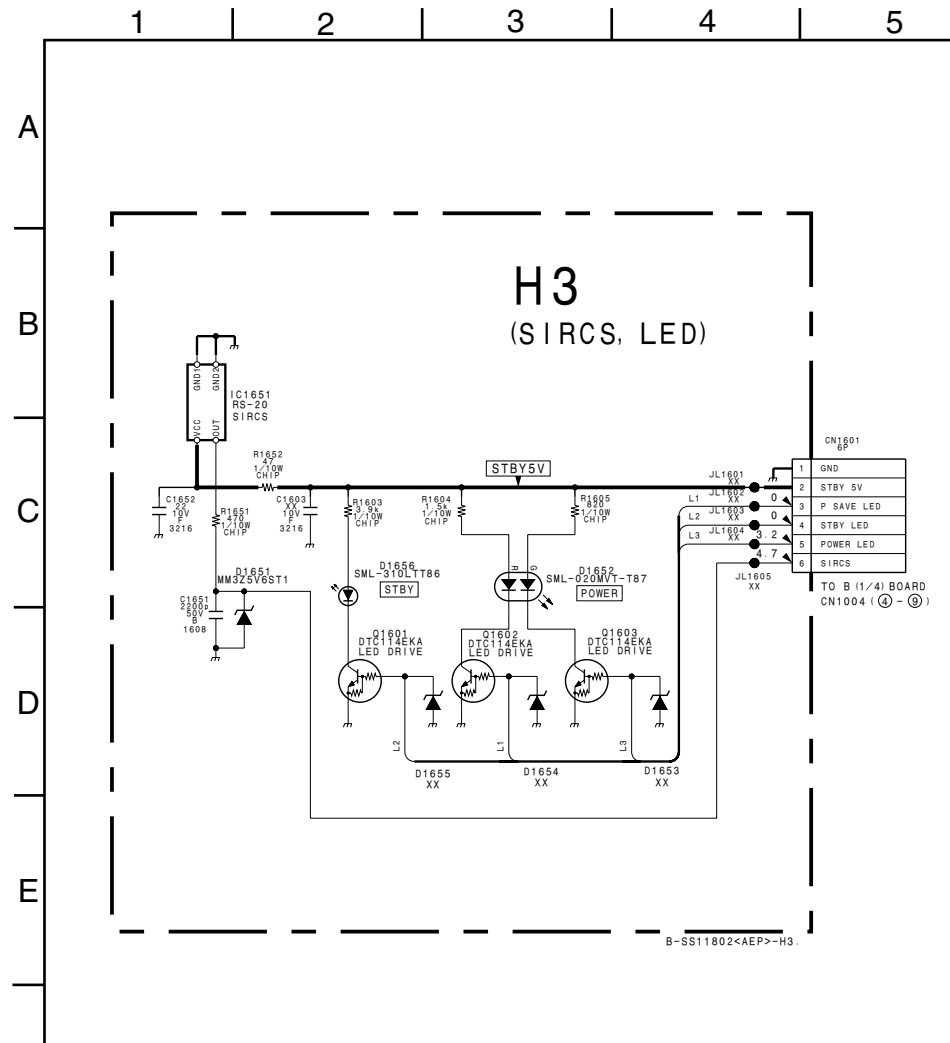
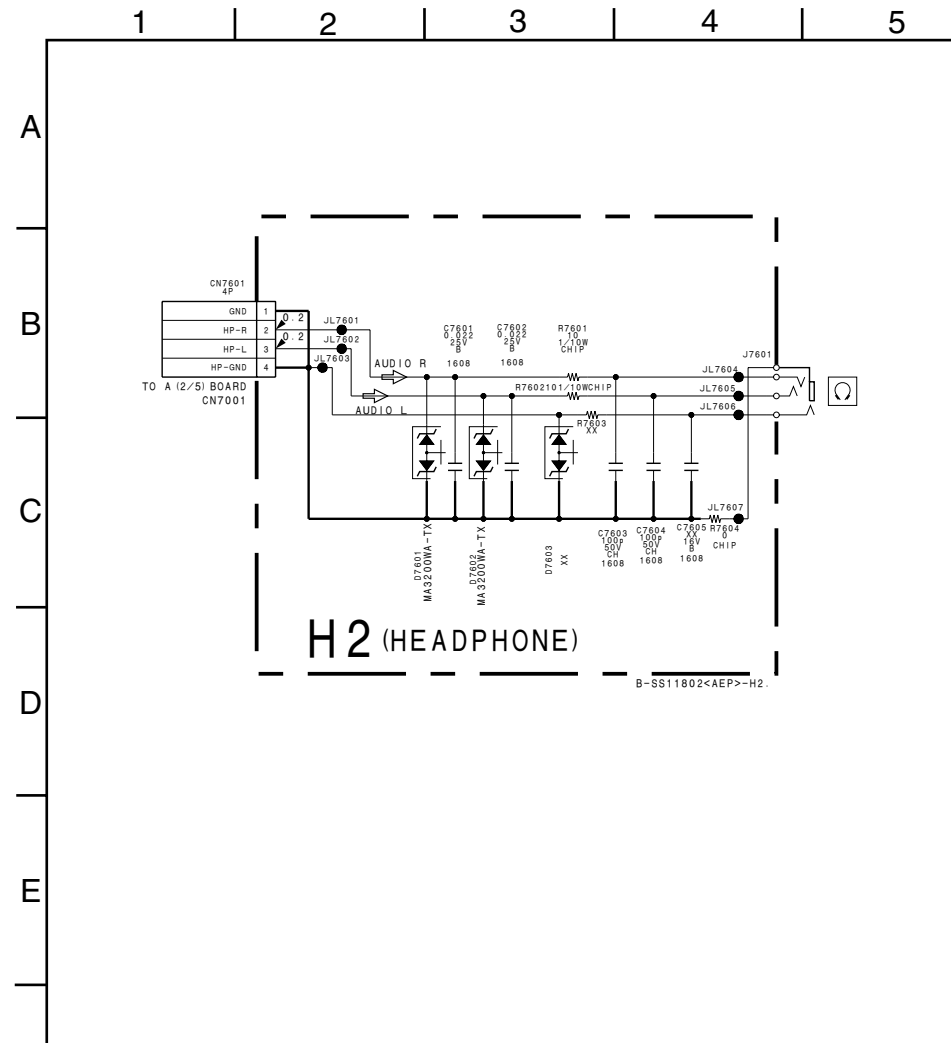
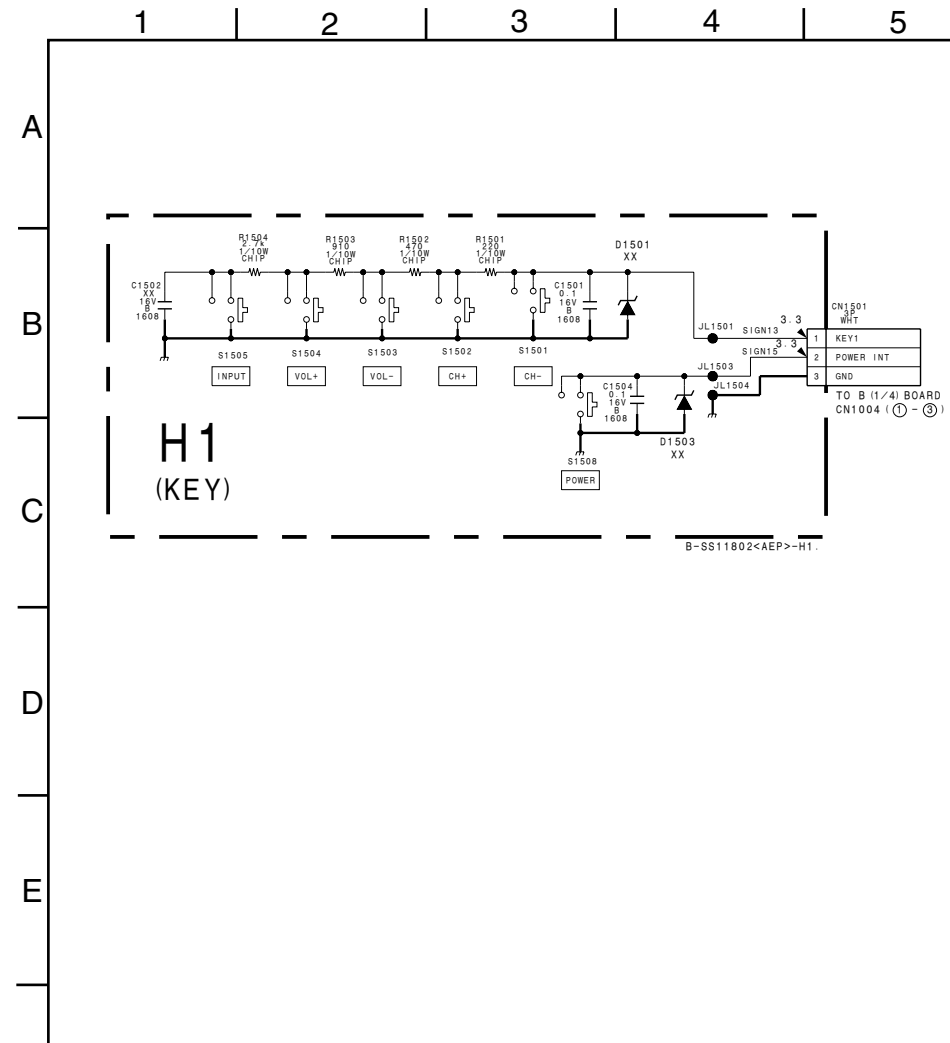
(3) D1 Board



D1
(INVERTER)

B-SS11802<AEP>-D1.

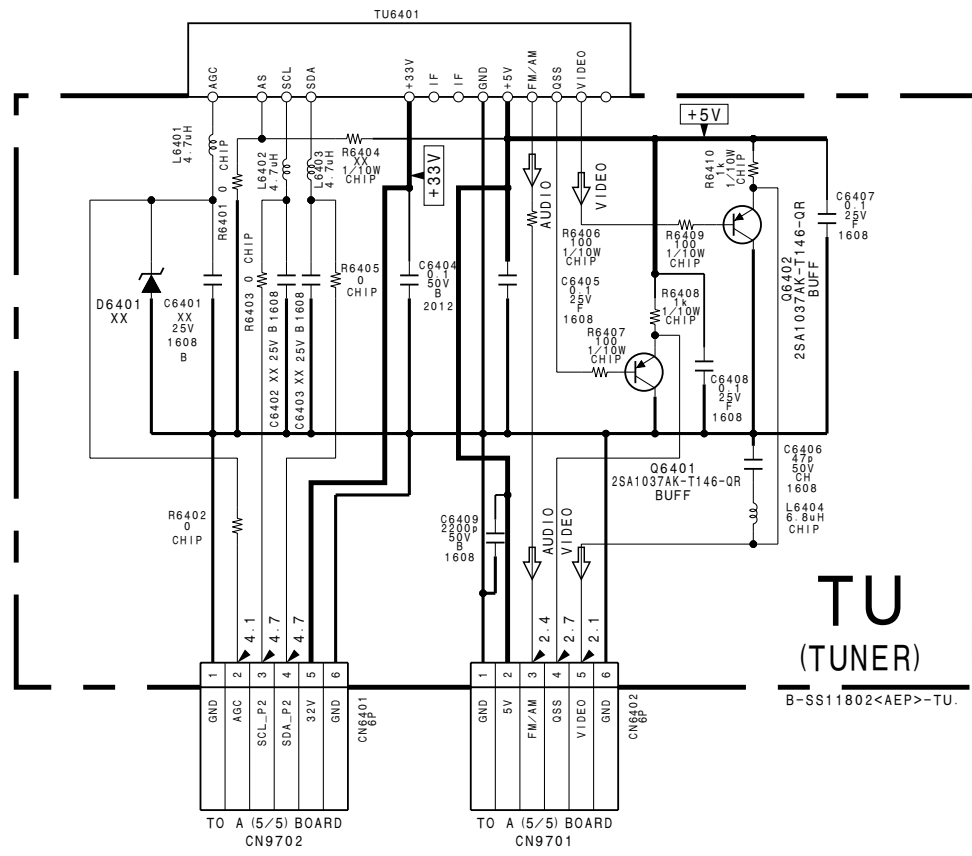
(4) H1, H2 and H3 Boards



(5) TU Board

1 2 3 4 5 6 7 8 9 10 11

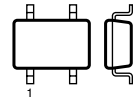
A
B
C
D
E
F



3-3. SEMICONDUCTORS

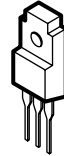
IC

BA033FP-E2
BA05FP-E2
BA09FP-E2
S-80928CNMC-G8YT2G
TC7SZ125FU(TE85R)

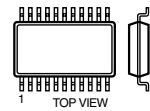


5Pin CHIP

BA09T

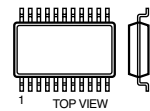


BD3869AF-E2



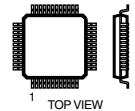
18Pin SOP

BD9766FV-E2
CXD2057M-T6



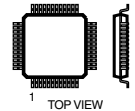
28Pin SOP

CXA2089Q-T6
CXA2171AQ
NJM2700FJ1



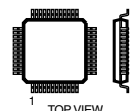
48Pin QFP

CXD2095AQ
PW112-10Q



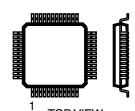
208Pin QFP

CXD3802Q



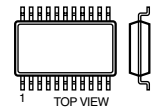
240Pin QFP

HD64F2377-SV11610-2



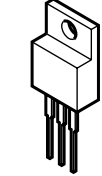
144Pin QFP

LM75CIMX-3
LMH6658MMX/NOPB
M24C64-WMN6T(B)
NJM3414AV(TE2)
NJM4558V-TE2

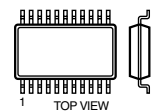


8Pin SOP

L88M05T-FA-TL

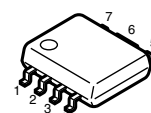


MC74LCX00DTR2
SN74CBTLV3125PWR
SN74HCT02APWR
SN74LV132APWR
TLC2933IPWR-12

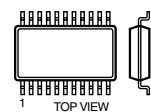


14Pin SOP

MM1561JFBE

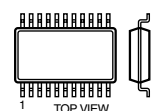


MSM56V16160F-8T3FM1



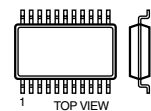
50Pin SOP

MT48LC2M32B2TG-6-Y94W



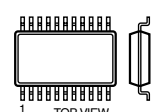
86Pin SOP

MX29LV800TTC-70G-SV11608



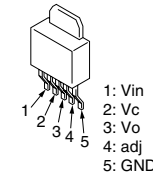
48Pin SOP

M52055FP

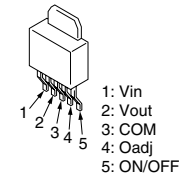


16Pin SOP

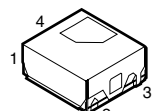
PQ070XZ01ZP



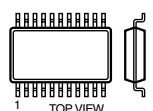
PQ1CZ41H2ZPH



RS-20

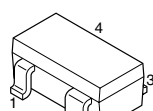


SN74ALVCH16823DGGR
THC63LVDM83R-T

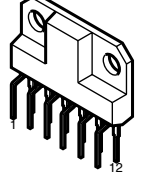


56Pin SOP

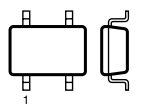
S-80815CNNB-B8AT2G
S-80828CNNB-B8NT2G



TA8216H

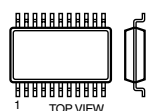


TK11819MTL



6Pin CHIP

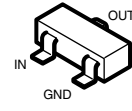
TPS5120DBTR



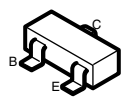
30Pin SOP

TRANSISTOR

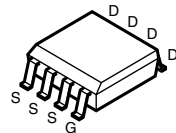
DTC114EU
DTC114EUAFT106



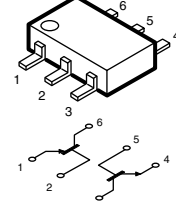
DTC114EUA-T106
DTC314TK-T-146
MSD601-RT1
MUN5213T1
2PA1576R-115
2PC4081R-115
2PD601AR-115
2SA1226-E4
2SA1226-T1E3E4
2SC4081-R
2SC4081T106R
2SC4178-F13F14-T1
2SC4178-F14
2SD601A-Q-TX



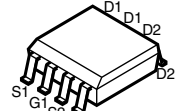
FDS6690A
UPA1716G-E2



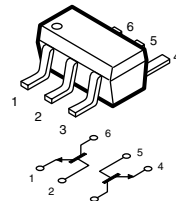
HN1B01FU-TE85R



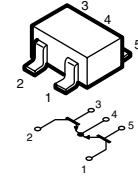
IRF7901D1-TR



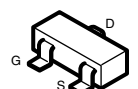
UMH2NL02TN



UMW1NTR

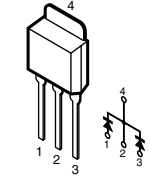


2SK1828
2SK1828TE85L

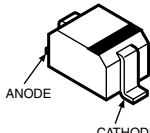


DIODE

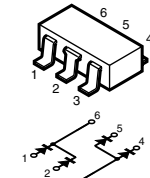
C10T03QL-11A



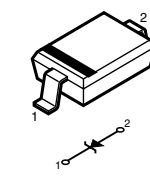
DTZ10B
MMDL914T1
RD5.6SB-T1
UDZSTE-1711B
UDZSTE-1713B
UDZSTE-175.1B
1SS355TE-17



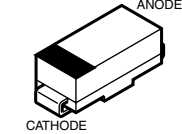
HN1D03FU-TE85L
HN1D03FU-TE85R



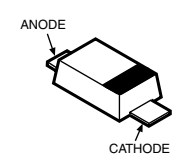
MM3Z10VT1
MM3Z13VT1
MM3Z2V4T1
MM3Z5V6ST1



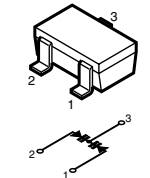
PTZ-TE25-13A
PTZ-TE25-3.9B
PTZ-TE25-5.6B
RB053L-30TE25
RB063L-30TE25



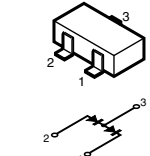
RB160M-30TR



1PS184-115

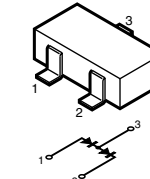


1PS226-115
1PS302

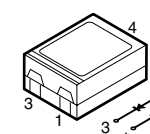


1SS302

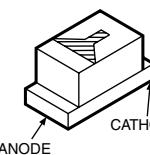
1SS302-TE85L



SML-020MVT-T87

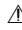



SML-310LTT86



SECTION 4 EXPLODED VIEWS

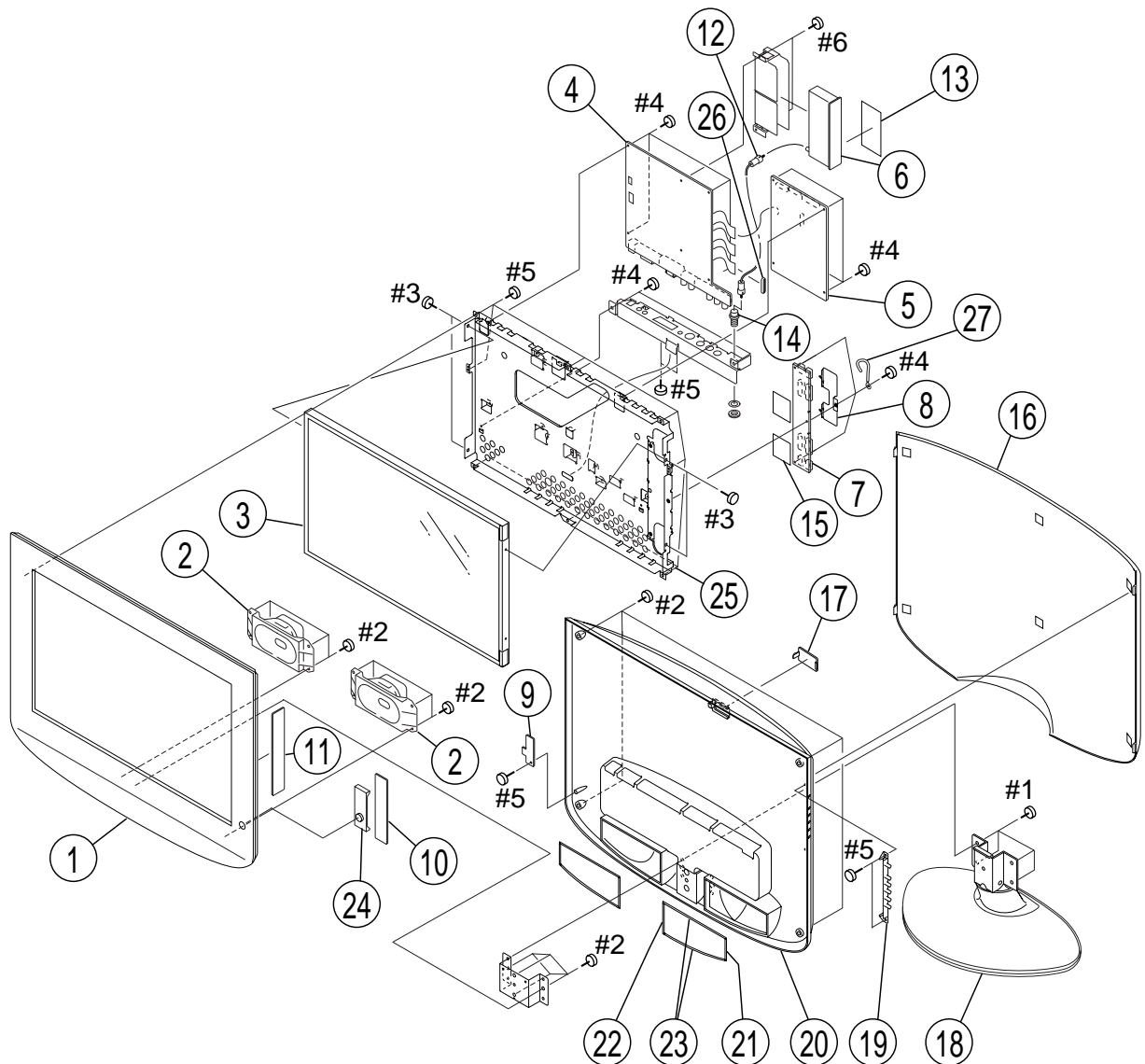
NOTE:

The components identified  marked are critical for safety.
Replace only with the part number specified.

Les composants identifiés par la marque  sont critiques pour la sécurité.
Ne les remplacer que par une pièce portant le numéro spécifié.

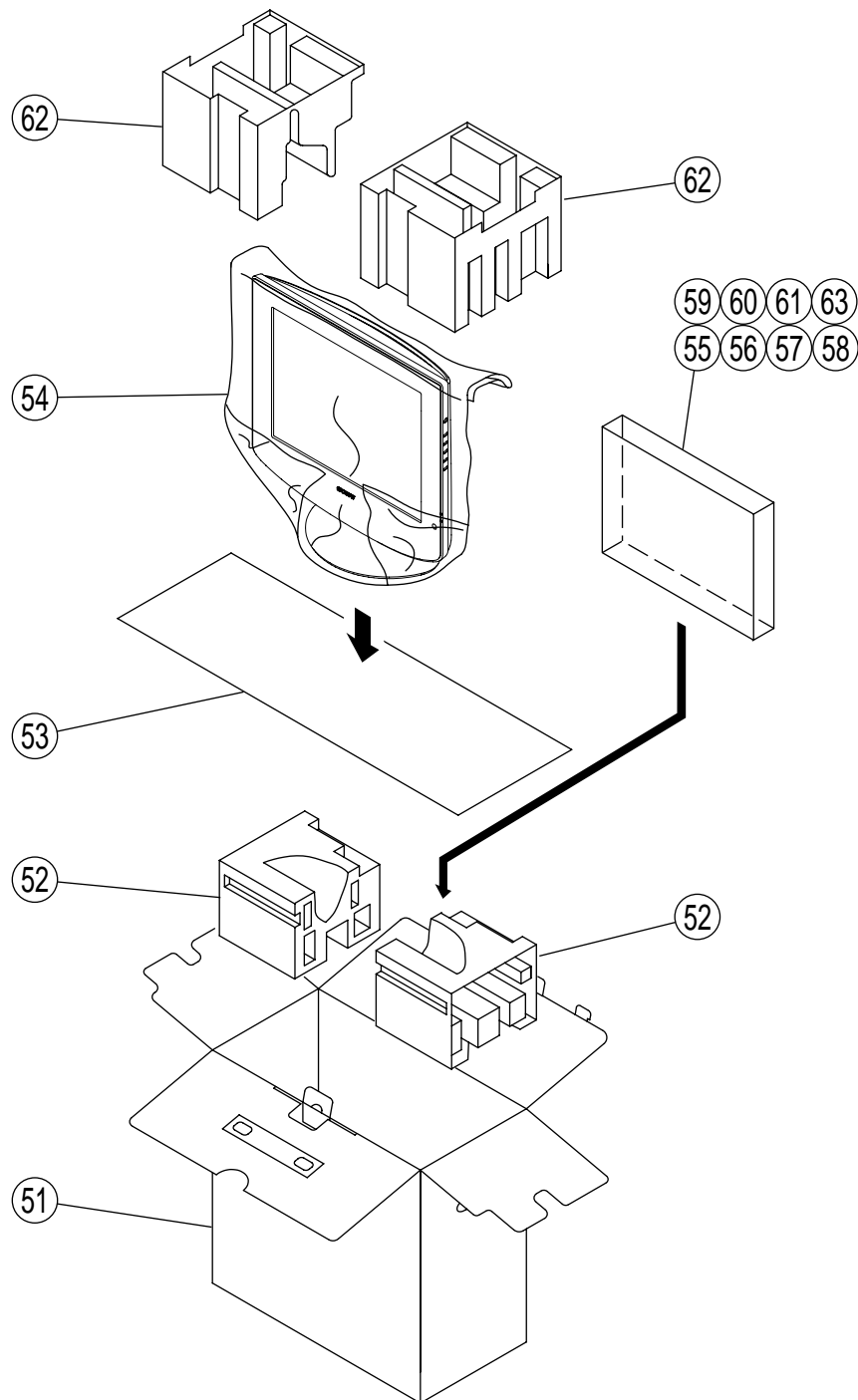
- Items with no part number and no description are not stocked because they are seldom required for routine service.
- The construction parts of an assembled part are indicated with a collation number in the remark column.
- Items marked " * " are not stocked since they are seldom required for routine service. Some delay should be anticipated when ordering these items.

4-1. CHASSIS



REF. No.	PART No.	DESCRIPTIONRE	MARK	REF. No.	PART No.	DESCRIPTIONRE	MARK
△ 1	X-4041-931-1	CABINET ASSY, FRONT (17) (SILVER)		△ 18	X-4041-666-2	STAND ASSY (SILVER)	
	X-4041-933-1	CABINET ASSY, FRONT (17B) (BLACK)			X-4041-670-1	STAND ASSY (BLACK)	
2	1-825-501-21	LOUDSPEAKER (4X7CM)		19	4-095-537-01	BUTTON, MULTI	
3	* 1-805-294-11	LCD PANEL		△ 20	X-4041-932-1	CABINET ASSY, REAR (17) (SILVER)	
4	* A-1405-469-A	A MOUNT			X-4041-934-1	CABINET ASSY, REAR (17B) (BLACK)	
△ 5	* A-1302-915-A	B COMPL		21	* 4-094-912-31	CUSHION (SPEAKER)	
6	* A-1405-821-A	TU MOUNT		22	* 4-094-912-21	CUSHION (SPEAKER)	
7	* A-1405-170-A	D1 MOUNT		23	* 4-094-912-41	CUSHION (SPEAKER)	
8	X-4042-051-2	SHELD ASSY (D)		△ 24	* 4-095-277-11	LIGHT, GUIDE (SILVER)	
9	* A-1405-822-A	H2 MOUNT			* 4-095-277-01	LIGHT, GUIDE (BLACK)	
10	* A-1405-471-A	H3 MOUNT		25	X-4042-101-1	BRACKET ASSY, LCD (17)	
11	* A-1405-470-A	H1 MOUNT		26	1-500-418-11	CORE	
12	* 1-557-056-31	CABLE, P-P		△ 27	3-701-822-01	HOLDER, WIRE	
13	* 4-095-199-01	SHEET(A), RADIATION		#1	7-682-663-09	SCREW +PS 4X12	
14	1-694-971-11	COAXIAL CONVERSION CONNECTOR		#2	7-685-660-79	SCREW +BVTP 4X10 TYPE2 IT-3	
15	* 4-095-544-01	INSULATOR (D1)		#3	7-682-948-01	SCREW +PSW 3X8	
△ 16	X-4041-659-1	COVER ASSY, REAR (17) (SILVER)		#4	7-685-871-01	SCREW +BVTT 3X6 (S)	
	X-4041-371-1	COVER ASSY, REAR (17B) (BLACK)		#5	7-685-646-79	SCREW +BVTP 3X8 TYPE2 IT-3	
△ 17	4-089-160-02	COVER, ECS (SILVER)					
	4-089-160-12	COVER, ECS (BLACK)					

4-2. PACKING MATERIALS



REF. No.	PART No.	DESCRIPTIONRE	MARK
△ 51	* 4-096-797-01	CARTON, INDIVIDUAL (17) (SILVER)	
	* 4-096-797-11	CARTON, INDIVIDUAL (17) (BLACK)	
52	* 4-096-799-01	CUSHION LOWER (17)	
53	* 4-097-327-01	SHEET, BOTTOM	
54	* 4-092-769-01	BAG, PROTECTION	
55	* 4-096-791-01	BOX, ACCESSORY	
56	* 4-096-792-01	PARTITION	
57	1-769-175-21	CABLE, ANTENNA (WITH FILTER)	
△ 58	1-478-208-11	STANDARD TYPE COMMANDER	(RM-Y1101)
59	1-478-170-21	D.C. POWER SUPPLY	
60	△ 1-827-480-11	POWER-SUPPLY CORD	
	△ 1-827-481-11	POWER-SUPPLY CORD	

REF. No.	PART No.	DESCRIPTIONRE	MARK
61	4-096-790-11	MANUAL INSTRUCTION	
	4-096-790-21	MANUAL INSTRUCTION	
	4-096-790-31	MANUAL INSTRUCTION	
△	4-096-790-41	MANUAL INSTRUCTION	
62	* 4-096-798-01	CUSHION UPPER (17)	
63	4-097-544-01	SCHEMATIC DIAGRAM (ITALY)	

SECTION 5

ELECTRICAL PARTS LIST

NOTE:

The components identified \triangle marked are critical for safety.
Replace only with the part number specified.

Les composants identifiés par la marque \triangle sont critiques pour la sécurité.
Ne les remplacer que par une pièce portant le numéro spécifié.

When indicating parts by reference number, please include the board name.

- All variable and adjustable resistors have characteristic curve B, unless otherwise noted.
- Items marked " * " are not stocked since they are seldom required for routine service. Some delay should be anticipated when ordering these items.

RESISTORS

- All resistors are in ohms
- F : nonflammable

No.	#	Board	Type	Δ/V^*	Ref. No.	Part No.	Description	Remarks-1	Remarks-2
1		B	CAPACITOR		C1002	1-126-391-11	ELECT CHIP 47UF 20.00% 6.3V		
2		B	CAPACITOR		C1005	1-125-891-11	CERAMIC CHIP 0.47UF 10.00% 10V		
3		B	CAPACITOR		C1006	1-125-777-11	CERAMIC CHIP 0.1UF 10.00% 10V		
4		B	CAPACITOR		C1007	1-162-968-11	CERAMIC CHIP 0.0047UF 10.00% 50V		
5		B	CAPACITOR		C1008	1-125-777-11	CERAMIC CHIP 0.1UF 10.00% 10V		
6		B	CAPACITOR		C1009	1-125-777-11	CERAMIC CHIP 0.1UF 10.00% 10V		
7		B	CAPACITOR		C1010	1-162-917-11	CERAMIC CHIP 15PF 5.00% 50V		
8		B	CAPACITOR		C1011	1-162-917-11	CERAMIC CHIP 15PF 5.00% 50V		
9		B	CAPACITOR		C1012	1-162-970-11	CERAMIC CHIP 0.01UF 10.00% 25V		
10		B	CAPACITOR		C1013	1-125-777-11	CERAMIC CHIP 0.1UF 10.00% 10V		
11		B	CAPACITOR		C1014	1-125-777-11	CERAMIC CHIP 0.1UF 10.00% 10V		
12		B	CAPACITOR		C1015	1-125-777-11	CERAMIC CHIP 0.1UF 10.00% 10V		
13		B	CAPACITOR		C1016	1-125-777-11	CERAMIC CHIP 0.1UF 10.00% 10V		
14		B	CAPACITOR		C1017	1-125-777-11	CERAMIC CHIP 0.1UF 10.00% 10V		
15		B	CAPACITOR		C1018	1-125-777-11	CERAMIC CHIP 0.1UF 10.00% 10V		
16		B	CAPACITOR		C1019	1-125-777-11	CERAMIC CHIP 0.1UF 10.00% 10V		
17		B	CAPACITOR		C1028	1-125-777-11	CERAMIC CHIP 0.1UF 10.00% 10V		
18		B	CAPACITOR		C1040	1-125-777-11	CERAMIC CHIP 0.1UF 10.00% 10V		
19		B	CAPACITOR		C1041	1-125-777-11	CERAMIC CHIP 0.1UF 10.00% 10V		
20		B	CAPACITOR		C1042	1-125-777-11	CERAMIC CHIP 0.1UF 10.00% 10V		
21		B	CAPACITOR		C1043	1-125-777-11	CERAMIC CHIP 0.1UF 10.00% 10V		
22		B	CAPACITOR		C1044	1-125-777-11	CERAMIC CHIP 0.1UF 10.00% 10V		
23		B	CAPACITOR		C1045	1-164-943-11	CERAMIC CHIP 0.01UF 10.00% 16V		
24		B	CAPACITOR		C1048	1-164-943-11	CERAMIC CHIP 0.01UF 10.00% 16V		
25		B	CAPACITOR		C1049	1-164-943-11	CERAMIC CHIP 0.01UF 10.00% 16V		
26		B	CAPACITOR		C1050	1-126-394-11	ELECT CHIP 10UF 20.00% 16V		
27		B	CAPACITOR		C1051	1-125-837-91	CERAMIC CHIP 1UF 10% 6.3V		
28		B	CAPACITOR		C1054	1-126-391-11	ELECT CHIP 47UF 20.00% 6.3V		
29		B	CAPACITOR		C1055	1-125-777-11	CERAMIC CHIP 0.1UF 10.00% 10V		
30		B	CAPACITOR		C1057	1-162-966-11	CERAMIC CHIP 0.0022UF 10.00% 50V		
31		B	CAPACITOR		C1059	1-162-927-11	CERAMIC CHIP 100PF 5.00% 50V		
32		B	CAPACITOR		C1060	1-126-396-11	ELECT CHIP 47UF 20.00% 16V		
33		B	CAPACITOR		C1192	1-126-390-11	ELECT CHIP 22UF 20.00% 6.3V		
34		B	CAPACITOR		C3002	1-107-826-11	CERAMIC CHIP 0.1UF 10.00% 16V		
35		B	CAPACITOR		C3003	1-126-396-11	ELECT CHIP 47UF 20.00% 16V		
36		B	CAPACITOR		C3011	1-107-826-11	CERAMIC CHIP 0.1UF 10.00% 16V		
37		B	CAPACITOR		C3012	1-107-826-11	CERAMIC CHIP 0.1UF 10.00% 16V		
38		B	CAPACITOR		C3015	1-107-826-11	CERAMIC CHIP 0.1UF 10.00% 16V		
39		B	CAPACITOR		C3017	1-128-357-11	ELECT CHIP 10UF 20.00% 16V		
40		B	CAPACITOR		C3024	1-164-943-11	CERAMIC CHIP 0.01UF 10.00% 16V		
41		B	CAPACITOR		C3025	1-164-943-11	CERAMIC CHIP 0.01UF 10.00% 16V		
42		B	CAPACITOR		C3026	1-126-392-11	ELECT CHIP 100UF 20.00% 6.3V		
43		B	CAPACITOR		C3027	1-126-392-11	ELECT CHIP 100UF 20.00% 6.3V		
44		B	CAPACITOR		C3028	1-126-395-11	ELECT CHIP 22UF 20.00% 16V		
45		B	CAPACITOR		C3029	1-126-395-11	ELECT CHIP 22UF 20.00% 16V		
46		B	CAPACITOR		C3030	1-126-395-11	ELECT CHIP 22UF 20.00% 16V		
47		B	CAPACITOR		C3031	1-126-392-11	ELECT CHIP 100UF 20.00% 6.3V		
48		B	CAPACITOR		C3032	1-125-777-11	CERAMIC CHIP 0.1UF 10.00% 10V		
49		B	CAPACITOR		C3033	1-126-392-11	ELECT CHIP 100UF 20.00% 6.3V		
50		B	CAPACITOR		C3034	1-164-943-11	CERAMIC CHIP 0.01UF 10.00% 16V		
51		B	CAPACITOR		C3035	1-164-943-11	CERAMIC CHIP 0.01UF 10.00% 16V		
52		B	CAPACITOR		C3036	1-125-777-11	CERAMIC CHIP 0.1UF 10.00% 10V		
53		B	CAPACITOR		C3037	1-126-392-11	ELECT CHIP 100UF 20.00% 6.3V		
54		B	CAPACITOR		C3038	1-126-390-11	ELECT CHIP 22UF 20.00% 6.3V		
55		B	CAPACITOR		C3039	1-126-390-11	ELECT CHIP 22UF 20.00% 6.3V		
56		B	CAPACITOR		C3040	1-125-777-11	CERAMIC CHIP 0.1UF 10.00% 10V		
57		B	CAPACITOR		C3041	1-125-777-11	CERAMIC CHIP 0.1UF 10.00% 10V		
58		B	CAPACITOR		C3042	1-162-970-11	CERAMIC CHIP 0.01UF 10.00% 25V		
59		B	CAPACITOR		C3043	1-125-777-11	CERAMIC CHIP 0.1UF 10.00% 10V		
60		B	CAPACITOR		C3044	1-164-943-11	CERAMIC CHIP 0.01UF 10.00% 16V		
61		B	CAPACITOR		C3045	1-164-943-11	CERAMIC CHIP 0.01UF 10.00% 16V		
62		B	CAPACITOR		C3046	1-164-943-11	CERAMIC CHIP 0.01UF 10.00% 16V		
63		B	CAPACITOR		C3047	1-164-943-11	CERAMIC CHIP 0.01UF 10.00% 16V		
64		B	CAPACITOR		C3048	1-164-943-11	CERAMIC CHIP 0.01UF 10.00% 16V		
65		B	CAPACITOR		C3049	1-164-943-11	CERAMIC CHIP 0.01UF 10.00% 16V		
66		B	CAPACITOR		C3050	1-164-943-11	CERAMIC CHIP 0.01UF 10.00% 16V		
67		B	CAPACITOR		C3051	1-164-943-11	CERAMIC CHIP 0.01UF 10.00% 16V		
68		B	CAPACITOR		C3052	1-125-777-11	CERAMIC CHIP 0.1UF 10.00% 10V		
69		B	CAPACITOR		C3053	1-125-777-11	CERAMIC CHIP 0.1UF 10.00% 10V		
70		B	CAPACITOR		C3054	1-125-777-11	CERAMIC CHIP 0.1UF 10.00% 10V		
71		B	CAPACITOR		C3055	1-125-777-11	CERAMIC CHIP 0.1UF 10.00% 10V		
72		B	CAPACITOR		C3056	1-125-777-11	CERAMIC CHIP 0.1UF 10.00% 10V		
73		B	CAPACITOR		C3057	1-125-777-11	CERAMIC CHIP 0.1UF 10.00% 10V		

No.	#	Board	Type	Δ / [*]	Ref. No.	Part No.	Description	Remarks-1	Remarks-2
74		B	CAPACITOR		C3059	1-162-964-11	CERAMIC CHIP 0.001UF 10.00% 50V		
75		B	CAPACITOR		C3060	1-137-710-11	CERAMIC CHIP 10UF 20% 6.3V		
76		B	CAPACITOR		C3061	1-164-943-11	CERAMIC CHIP 0.01UF 10.00% 16V		
77		B	CAPACITOR		C3062	1-164-943-11	CERAMIC CHIP 0.01UF 10.00% 16V		
78		B	CAPACITOR		C3063	1-164-943-11	CERAMIC CHIP 0.01UF 10.00% 16V		
79		B	CAPACITOR		C3064	1-164-943-11	CERAMIC CHIP 0.01UF 10.00% 16V		
80		B	CAPACITOR		C3065	1-164-943-11	CERAMIC CHIP 0.01UF 10.00% 16V		
81		B	CAPACITOR		C3066	1-164-943-11	CERAMIC CHIP 0.01UF 10.00% 16V		
82		B	CAPACITOR		C3067	1-164-943-11	CERAMIC CHIP 0.01UF 10.00% 16V		
83		B	CAPACITOR		C3068	1-164-943-11	CERAMIC CHIP 0.01UF 10.00% 16V		
84		B	CAPACITOR		C3069	1-164-943-11	CERAMIC CHIP 0.01UF 10.00% 16V		
85		B	CAPACITOR		C3070	1-164-943-11	CERAMIC CHIP 0.01UF 10.00% 16V		
86		B	CAPACITOR		C3071	1-164-943-11	CERAMIC CHIP 0.01UF 10.00% 16V		
87		B	CAPACITOR		C3072	1-164-943-11	CERAMIC CHIP 0.01UF 10.00% 16V		
88		B	CAPACITOR		C3073	1-164-943-11	CERAMIC CHIP 0.01UF 10.00% 16V		
89		B	CAPACITOR		C3074	1-164-943-11	CERAMIC CHIP 0.01UF 10.00% 16V		
90		B	CAPACITOR		C3075	1-164-943-11	CERAMIC CHIP 0.01UF 10.00% 16V		
91		B	CAPACITOR		C3076	1-164-943-11	CERAMIC CHIP 0.01UF 10.00% 16V		
92		B	CAPACITOR		C3077	1-164-943-11	CERAMIC CHIP 0.01UF 10.00% 16V		
93		B	CAPACITOR		C3078	1-164-943-11	CERAMIC CHIP 0.01UF 10.00% 16V		
94		B	CAPACITOR		C3079	1-164-943-11	CERAMIC CHIP 0.01UF 10.00% 16V		
95		B	CAPACITOR		C3080	1-164-943-11	CERAMIC CHIP 0.01UF 10.00% 16V		
96		B	CAPACITOR		C3081	1-164-943-11	CERAMIC CHIP 0.01UF 10.00% 16V		
97		B	CAPACITOR		C3082	1-164-943-11	CERAMIC CHIP 0.01UF 10.00% 16V		
98		B	CAPACITOR		C3083	1-125-777-11	CERAMIC CHIP 0.1UF 10.00% 10V		
99		B	CAPACITOR		C3084	1-100-159-91	CERAMIC CHIP 22UF 10% 6.3V		
100		B	CAPACITOR		C3085	1-164-943-11	CERAMIC CHIP 0.01UF 10.00% 16V		
101		B	CAPACITOR		C3088	1-164-943-11	CERAMIC CHIP 0.01UF 10.00% 16V		
102		B	CAPACITOR		C3089	1-164-943-11	CERAMIC CHIP 0.01UF 10.00% 16V		
103		B	CAPACITOR		C3090	1-164-943-11	CERAMIC CHIP 0.01UF 10.00% 16V		
104		B	CAPACITOR		C3091	1-164-943-11	CERAMIC CHIP 0.01UF 10.00% 16V		
105		B	CAPACITOR		C3093	1-164-943-11	CERAMIC CHIP 0.01UF 10.00% 16V		
106		B	CAPACITOR		C3094	1-164-943-11	CERAMIC CHIP 0.01UF 10.00% 16V		
107		B	CAPACITOR		C3095	1-164-943-11	CERAMIC CHIP 0.01UF 10.00% 16V		
108		B	CAPACITOR		C3096	1-164-943-11	CERAMIC CHIP 0.01UF 10.00% 16V		
109		B	CAPACITOR		C3097	1-164-943-11	CERAMIC CHIP 0.01UF 10.00% 16V		
110		B	CAPACITOR		C3098	1-164-943-11	CERAMIC CHIP 0.01UF 10.00% 16V		
111		B	CAPACITOR		C3100	1-162-964-11	CERAMIC CHIP 0.001UF 10.00% 50V		
112		B	CAPACITOR		C3101	1-162-927-11	CERAMIC CHIP 100PF 5.00% 50V		
113		B	CAPACITOR		C3102	1-137-710-11	CERAMIC CHIP 10UF 20% 6.3V		
114		B	CAPACITOR		C3103	1-137-710-11	CERAMIC CHIP 10UF 20% 6.3V		
115		B	CAPACITOR		C3104	1-164-874-11	CERAMIC CHIP 100PF 5.00% 50V		
116		B	CAPACITOR		C3105	1-164-874-11	CERAMIC CHIP 100PF 5.00% 50V		
117		B	CAPACITOR		C3106	1-164-874-11	CERAMIC CHIP 100PF 5.00% 50V		
118		B	CAPACITOR		C3107	1-164-874-11	CERAMIC CHIP 100PF 5.00% 50V		
119		B	CAPACITOR		C3108	1-164-874-11	CERAMIC CHIP 100PF 5.00% 50V		
120		B	CAPACITOR		C3109	1-164-874-11	CERAMIC CHIP 100PF 5.00% 50V		
121		B	CAPACITOR		C3110	1-164-874-11	CERAMIC CHIP 100PF 5.00% 50V		
122		B	CAPACITOR		C3301	1-119-667-11	CERAMIC CHIP 22UF 10V		
123		B	CAPACITOR		C3302	1-125-837-91	CERAMIC CHIP 1UF 10% 6.3V		
124		B	CAPACITOR		C3304	1-164-315-11	CERAMIC CHIP 470PF 5.00% 50V		
125		B	CAPACITOR		C3305	1-137-710-11	CERAMIC CHIP 10UF 20% 6.3V		
126		B	CAPACITOR		C3306	1-100-159-91	CERAMIC CHIP 22UF 10% 6.3V		
127		B	CAPACITOR		C3307	1-107-820-11	CERAMIC CHIP 0.1UF 16V		
128		B	CAPACITOR		C3308	1-100-159-91	CERAMIC CHIP 22UF 10% 6.3V		
129		B	CAPACITOR		C3309	1-107-820-11	CERAMIC CHIP 0.1UF 16V		
130		B	CAPACITOR		C3310	1-107-820-11	CERAMIC CHIP 0.1UF 16V		
131		B	CAPACITOR		C3311	1-107-820-11	CERAMIC CHIP 0.1UF 16V		
132		B	CAPACITOR		C3312	1-107-820-11	CERAMIC CHIP 0.1UF 16V		
133		B	CAPACITOR		C3313	1-107-820-11	CERAMIC CHIP 0.1UF 16V		
134		B	CAPACITOR		C3314	1-107-820-11	CERAMIC CHIP 0.1UF 16V		
135		B	CAPACITOR		C3315	1-107-820-11	CERAMIC CHIP 0.1UF 16V		
136		B	CAPACITOR		C3316	1-100-159-91	CERAMIC CHIP 22UF 10% 6.3V		
137		B	CAPACITOR		C3317	1-107-820-11	CERAMIC CHIP 0.1UF 16V		
138		B	CAPACITOR		C3318	1-107-820-11	CERAMIC CHIP 0.1UF 16V		
139		B	CAPACITOR		C3319	1-107-820-11	CERAMIC CHIP 0.1UF 16V		
140		B	CAPACITOR		C3320	1-107-820-11	CERAMIC CHIP 0.1UF 16V		
141		B	CAPACITOR		C3321	1-107-820-11	CERAMIC CHIP 0.1UF 16V		
142		B	CAPACITOR		C3322	1-107-820-11	CERAMIC CHIP 0.1UF 16V		
143		B	CAPACITOR		C3323	1-107-820-11	CERAMIC CHIP 0.1UF 16V		
144		B	CAPACITOR		C3324	1-107-820-11	CERAMIC CHIP 0.1UF 16V		
145		B	CAPACITOR		C3325	1-107-820-11	CERAMIC CHIP 0.1UF 16V		
146		B	CAPACITOR		C3326	1-107-820-11	CERAMIC CHIP 0.1UF 16V		

No.	#	Board	Type	Δ / [*]	Ref. No.	Part No.	Description	Remarks-1	Remarks-2
147		B	CAPACITOR		C3327	1-107-820-11	CERAMIC CHIP 0.1UF 16V		
148		B	CAPACITOR		C3328	1-119-667-11	CERAMIC CHIP 22UF 10V		
149		B	CAPACITOR		C3329	1-107-820-11	CERAMIC CHIP 0.1UF 16V		
150		B	CAPACITOR		C3330	1-107-820-11	CERAMIC CHIP 0.1UF 16V		
151		B	CAPACITOR		C3331	1-107-820-11	CERAMIC CHIP 0.1UF 16V		
152		B	CAPACITOR		C3332	1-107-820-11	CERAMIC CHIP 0.1UF 16V		
153		B	CAPACITOR		C3333	1-107-820-11	CERAMIC CHIP 0.1UF 16V		
154		B	CAPACITOR		C3334	1-107-820-11	CERAMIC CHIP 0.1UF 16V		
155		B	CAPACITOR		C3335	1-107-820-11	CERAMIC CHIP 0.1UF 16V		
156		B	CAPACITOR		C3336	1-107-820-11	CERAMIC CHIP 0.1UF 16V		
157		B	CAPACITOR		C3337	1-107-820-11	CERAMIC CHIP 0.1UF 16V		
158		B	CAPACITOR		C3338	1-107-820-11	CERAMIC CHIP 0.1UF 16V		
159		B	CAPACITOR		C3339	1-107-820-11	CERAMIC CHIP 0.1UF 16V		
160		B	CAPACITOR		C3340	1-107-820-11	CERAMIC CHIP 0.1UF 16V		
161		B	CAPACITOR		C3341	1-107-820-11	CERAMIC CHIP 0.1UF 16V		
162		B	CAPACITOR		C3342	1-107-820-11	CERAMIC CHIP 0.1UF 16V		
163		B	CAPACITOR		C3343	1-107-820-11	CERAMIC CHIP 0.1UF 16V		
164		B	CAPACITOR		C3344	1-164-943-11	CERAMIC CHIP 0.01UF 10.00% 16V		
165		B	CAPACITOR		C3345	1-107-820-11	CERAMIC CHIP 0.1UF 16V		
166		B	CAPACITOR		C3346	1-126-391-11	ELECT CHIP 47UF 20.00% 6.3V		
167		B	CAPACITOR		C3347	1-100-159-91	CERAMIC CHIP 22UF 10% 6.3V		
168		B	CAPACITOR		C3348	1-107-820-11	CERAMIC CHIP 0.1UF 16V		
169		B	CAPACITOR		C3350	1-100-159-91	CERAMIC CHIP 22UF 10% 6.3V		
170		B	CAPACITOR		C3351	1-107-820-11	CERAMIC CHIP 0.1UF 16V		
171		B	CAPACITOR		C5003	1-125-777-11	CERAMIC CHIP 0.1UF 10.00% 10V		
172		B	CAPACITOR		C5004	1-125-777-11	CERAMIC CHIP 0.1UF 10.00% 10V		
173		B	CAPACITOR		C5005	1-125-777-11	CERAMIC CHIP 0.1UF 10.00% 10V		
174		B	CAPACITOR		C5006	1-125-777-11	CERAMIC CHIP 0.1UF 10.00% 10V		
175		B	CAPACITOR		C5007	1-125-777-11	CERAMIC CHIP 0.1UF 10.00% 10V		
176		B	CAPACITOR		C5008	1-125-777-11	CERAMIC CHIP 0.1UF 10.00% 10V		
177		B	CAPACITOR		C5009	1-125-777-11	CERAMIC CHIP 0.1UF 10.00% 10V		
178		B	CAPACITOR		C5010	1-125-777-11	CERAMIC CHIP 0.1UF 10.00% 10V		
179		B	CAPACITOR		C5011	1-162-962-11	CERAMIC CHIP 470PF 10.00% 50V		
180		B	CAPACITOR		C5012	1-162-970-11	CERAMIC CHIP 0.01UF 10.00% 25V		
181		B	CAPACITOR		C5013	1-162-927-11	CERAMIC CHIP 100PF 5.00% 50V		
182		B	CAPACITOR		C5014	1-125-777-11	CERAMIC CHIP 0.1UF 10.00% 10V		
183		B	CAPACITOR		C5016	1-125-837-91	CERAMIC CHIP 1UF 10% 6.3V		
184		B	CAPACITOR		C5017	1-107-826-11	CERAMIC CHIP 0.1UF 10.00% 16V		
185		B	CAPACITOR		C5018	1-107-826-11	CERAMIC CHIP 0.1UF 10.00% 16V		
186		B	CAPACITOR		C5019	1-125-837-91	CERAMIC CHIP 1UF 10% 6.3V		
187		B	CAPACITOR		C5020	1-107-826-11	CERAMIC CHIP 0.1UF 10.00% 16V		
188		B	CAPACITOR		C5023	1-125-777-11	CERAMIC CHIP 0.1UF 10.00% 10V		
189		B	CAPACITOR		C5024	1-125-777-11	CERAMIC CHIP 0.1UF 10.00% 10V		
190		B	CAPACITOR		C5025	1-125-777-11	CERAMIC CHIP 0.1UF 10.00% 10V		
191		B	CAPACITOR		C5026	1-125-777-11	CERAMIC CHIP 0.1UF 10.00% 10V		
192		B	CAPACITOR		C5027	1-125-777-11	CERAMIC CHIP 0.1UF 10.00% 10V		
193		B	CAPACITOR		C5028	1-125-777-11	CERAMIC CHIP 0.1UF 10.00% 10V		
194		B	CAPACITOR		C5029	1-125-777-11	CERAMIC CHIP 0.1UF 10.00% 10V		
195		B	CAPACITOR		C5030	1-125-777-11	CERAMIC CHIP 0.1UF 10.00% 10V		
196		B	CAPACITOR		C5031	1-137-710-11	CERAMIC CHIP 10UF 20% 6.3V		
197		B	CAPACITOR		C5032	1-125-777-11	CERAMIC CHIP 0.1UF 10.00% 10V		
198		B	CAPACITOR		C5033	1-137-710-11	CERAMIC CHIP 10UF 20% 6.3V		
199		B	CAPACITOR		C5034	1-100-159-91	CERAMIC CHIP 22UF 10% 6.3V		
200		B	CAPACITOR		C5035	1-100-159-91	CERAMIC CHIP 22UF 10% 6.3V		
201		B	CAPACITOR		C5200	1-125-777-11	CERAMIC CHIP 0.1UF 10.00% 10V		
202		B	CAPACITOR		C5201	1-162-917-11	CERAMIC CHIP 15PF 5.00% 50V		
203		B	CAPACITOR		C5202	1-162-917-11	CERAMIC CHIP 15PF 5.00% 50V		
204		B	CAPACITOR		C5203	1-164-943-11	CERAMIC CHIP 0.01UF 10.00% 16V		
205		B	CAPACITOR		C5204	1-164-943-11	CERAMIC CHIP 0.01UF 10.00% 16V		
206		B	CAPACITOR		C5205	1-126-392-11	ELECT CHIP 100UF 20.00% 6.3V		
207		B	CAPACITOR		C5206	1-125-777-11	CERAMIC CHIP 0.1UF 10.00% 10V		
208		B	CAPACITOR		C5207	1-107-826-11	CERAMIC CHIP 0.1UF 10.00% 16V		
209		B	CAPACITOR		C5208	1-125-777-11	CERAMIC CHIP 0.1UF 10.00% 10V		
210		B	CAPACITOR		C5210	1-100-159-91	CERAMIC CHIP 22UF 10% 6.3V		
211		B	CAPACITOR		C5211	1-100-159-91	CERAMIC CHIP 22UF 10% 6.3V		
212		B	CAPACITOR		C5887	1-164-943-11	CERAMIC CHIP 0.01UF 10.00% 16V		
213		B	CAPACITOR		C5888	1-164-943-11	CERAMIC CHIP 0.01UF 10.00% 16V		
214		B	CAPACITOR		C5889	1-164-943-11	CERAMIC CHIP 0.01UF 10.00% 16V		
215		B	CAPACITOR		C5890	1-164-943-11	CERAMIC CHIP 0.01UF 10.00% 16V		
216		B	CAPACITOR		C5891	1-164-943-11	CERAMIC CHIP 0.01UF 10.00% 16V		
217		B	CAPACITOR		C5892	1-164-943-11	CERAMIC CHIP 0.01UF 10.00% 16V		
218		B	CAPACITOR		C5893	1-164-935-11	CERAMIC CHIP 470PF 10.00% 50V		
219		B	CAPACITOR		C5894	1-164-935-11	CERAMIC CHIP 470PF 10.00% 50V		

No.	#	Board	Type	△/*	Ref. No.	Part No.	Description	Remarks-1	Remarks-2
220		B	CAPACITOR		C5895	1-125-777-11	CERAMIC CHIP 0.1UF 10.00% 10V		
221		B	CAPACITOR		C5896	1-125-777-11	CERAMIC CHIP 0.1UF 10.00% 10V		
222		B	CAPACITOR		C5897	1-125-777-11	CERAMIC CHIP 0.1UF 10.00% 10V		
223		B	CAPACITOR		C5898	1-164-937-11	CERAMIC CHIP 0.001UF 10.00% 50V		
224		B	CAPACITOR		C5899	1-164-937-11	CERAMIC CHIP 0.001UF 10.00% 50V		
225		B	LEAD PIN	*	CL5001	4-042-408-01	PIN, COATING LEAD		
226		B	CONNECTOR		CN1001	1-779-884-11	CONNECTOR 4P		
227		B	CONNECTOR		CN1002	1-779-936-21	CONNECTOR, FFC/FPC 18P		
228		B	CONNECTOR		CN1003	1-774-769-11	CONNECTOR, FFC/FPC 25P		
229		B	CONNECTOR	*	CN1004	1-766-376-11	PIN, CONNECTOR (1.5MM)(SMD) 9P		
230		B	CONNECTOR		CN1005	1-774-769-11	CONNECTOR, FFC/FPC 25P		
231		B	CONNECTOR		CN1006	1-573-290-21	PIN, CONNECTOR (1.5MM) (SMD)4P		
232		B	CONNECTOR		CN1007	1-774-769-11	CONNECTOR, FFC/FPC 25P		
233		B	CONNECTOR	*	CN5001	1-785-306-21	CONNECTOR, BOARD TO BOARD70P		
234		B	CONNECTOR	*	CN5801	1-816-544-21	PIN, CONNECTOR (PC BOARD) 20P		
235		B	DIODE		D1002	8-719-024-77	DIODE HN1D03FU-TE85R		
236		B	DIODE		D1003	8-719-081-97	DIODE MMDL914T1		
237		B	DIODE		D1005	8-719-081-97	DIODE MMDL914T1		
238		B	DIODE		D1006	8-719-077-59	DIODE 1PS302		
239		B	DIODE		D1008	8-719-036-94	DIODE RD5.6SB-T1		
240		B	DIODE		D1009	8-719-036-94	DIODE RD5.6SB-T1		
241		B	DIODE		D1012	8-719-036-94	DIODE RD5.6SB-T1		
242		B	DIODE		D1013	8-719-036-94	DIODE RD5.6SB-T1		
243		B	DIODE		D5001	8-719-066-11	DIODE 1PS184-115		
244		B	DIODE		D5002	8-719-066-11	DIODE 1PS184-115		
245		B	DIODE		D5004	8-719-081-97	DIODE MMDL914T1		
246		B	DIODE		D5005	8-719-081-97	DIODE MMDL914T1		
247		B	DIODE		D5006	8-719-081-97	DIODE MMDL914T1		
248		B	FERRITE BEAD		FB1001	1-414-445-11	FERRITE 0UH		
249		B	FERRITE BEAD		FB1002	1-414-445-11	FERRITE 0UH		
250		B	FERRITE BEAD		FB3009	1-414-234-22	FERRITE 0UH		
251		B	FERRITE BEAD		FB3301	1-414-445-11	FERRITE 0UH		
252		B	FERRITE BEAD		FB3302	1-414-864-11	FERRITE 0UH		
253		B	FERRITE BEAD		FB3303	1-414-445-11	FERRITE 0UH		
254		B	FERRITE BEAD		FB5001	1-414-445-11	FERRITE 0UH		
255		B	FERRITE BEAD		FB5002	1-414-445-11	FERRITE 0UH		
256		B	FERRITE BEAD		FB5009	1-414-445-11	FERRITE 0UH		
257		B	FERRITE BEAD		FB5010	1-414-864-11	FERRITE 0UH		
258		B	FERRITE BEAD		FB5011	1-414-864-11	FERRITE 0UH		
259		B	FERRITE BEAD		FB5012	1-414-864-11	FERRITE 0UH		
260		B	FERRITE BEAD		FB5013	1-414-864-11	FERRITE 0UH		
261		B	FERRITE BEAD		FB5804	1-414-445-11	FERRITE 0UH		
262		B	FERRITE BEAD		FB5805	1-414-445-11	FERRITE 0UH		
263		B	FERRITE BEAD		FB5806	1-414-445-11	FERRITE 0UH		
264		B	FILTER		FL3001	1-234-560-21	FILTER, LOW PASS		
265		B	FILTER		FL3002	1-234-559-21	FILTER, LOW PASS		
266		B	FILTER		FL3003	1-234-559-21	FILTER, LOW PASS		
267		B	FILTER		FL3004	1-234-177-21	FERRITE 0UH		
268		B	FILTER		FL3005	1-234-177-21	FERRITE 0UH		
269		B	FILTER		FL3006	1-234-177-21	FERRITE 0UH		
270		B	FILTER		FL3007	1-234-177-21	FERRITE 0UH		
271		B	FILTER		FL3008	1-234-677-21	FILTER, EMI		
272		B	FILTER		FL3301	1-234-177-21	FERRITE 0UH		
273		B	FILTER		FL3302	1-234-177-21	FERRITE 0UH		
274		B	FILTER		FL3303	1-234-177-21	FERRITE 0UH		
275		B	FILTER		FL3304	1-234-177-21	FERRITE 0UH		
276		B	FILTER		FL5001	1-234-177-21	FERRITE 0UH		
277		B	FILTER		FL5802	1-234-177-21	FERRITE 0UH		
278		B	IC		IC1001	8-759-460-72	IC BA033FP-E2		
279		B	IC		IC1002	8-759-476-80	IC LM75CIMX-3		
280		B	IC		IC1006	6-803-372-01	IC HD64F2377-800		
281		B	IC		IC1007	6-703-225-01	IC S-80928CNMC-G8YT2G		
282		B	IC		IC1008	6-702-688-01	IC M24C64-WMN6T(B)		
283		B	IC		IC1009	8-759-592-49	IC TC7SZ125FU(TE85R)		
284		B	IC		IC1010	8-759-549-03	IC SN74LV132APWR		
285		B	IC		IC3002	6-703-772-11	IC LMH6658MMX/NOPB		
286		B	IC		IC3003	6-703-772-11	IC LMH6658MMX/NOPB		
287		B	IC		IC3005	8-759-712-65	IC PQ070XZ01ZP		
288		B	IC		IC3006	8-759-712-65	IC PQ070XZ01ZP		
289		B	IC		IC3007	8-752-425-02	IC CXD3802BQ		
290		B	IC		IC3008	6-703-430-01	IC MT48LC2M32B2TG-6-Y94W		
291		B	IC		IC3301	6-700-227-01	IC MM1561JFBE		
292		B	IC		IC3302	8-752-409-78	IC CXD2095AQ		

No.	#	Board	Type	△/*	Ref. No.	Part No.	Description	Remarks-1	Remarks-2
293		B	IC		IC3303	6-703-791-01	IC MSM56V16160F-8T3FM1		
294		B	IC		IC3304	8-759-669-78	IC TLC2933IPWR-12		
295		B	IC		IC5001	6-803-374-01	IC MX29LV800ATTC-70G-802		
296		B	IC		IC5002	8-759-549-03	IC SN74LV132APWR		
297		B	IC		IC5004	6-703-224-01	IC S-80828CNNB-B8NT2G		
298		B	IC		IC5005	6-703-226-01	IC S-80815CNNB-B8AT2G		
299		B	IC		IC5007	6-704-190-01	IC SN74ALVCH16823DGGR		
300		B	IC		IC5008	8-759-712-65	IC PQ070XZ01ZP		
301		B	IC		IC5009	8-759-712-65	IC PQ070XZ01ZP		
302		B	IC		IC5010	6-702-419-01	IC PW112-10Q		
303		B	IC		IC5011	6-701-338-01	IC MC74LCX00DTR2		
304		B	IC		IC5012	6-700-268-01	IC SN74CBTLV3125PWR		
305		B	IC		IC5804	6-701-098-11	IC THC63LVDM83R-T		
306		B	COIL		L1001	1-412-030-11	INDUCTOR 22UH		
307		B	COIL		L3001	1-469-525-91	INDUCTOR 10UH		
308		B	COIL		L3004	1-469-525-91	INDUCTOR 10UH		
309		B	COIL		L3005	1-412-026-11	INDUCTOR 1UH		
310		B	COIL		L3006	1-412-026-11	INDUCTOR 1UH		
311		B	COIL		L3007	1-469-525-91	INDUCTOR 10UH		
312		B	COIL		L3008	1-469-525-91	INDUCTOR 10UH		
313		B	COIL		L3009	1-469-525-91	INDUCTOR 10UH		
314		B	COIL		L3010	1-412-029-11	INDUCTOR 10UH		
315		B	COIL		L3301	1-469-525-91	INDUCTOR 10UH		
316		B	COIL		L3302	1-469-528-91	INDUCTOR 100UH		
317		B	COIL		L3303	1-469-528-91	INDUCTOR 100UH		
318		B	COIL		L5002	1-412-028-11	INDUCTOR 4.7UH		
319		B	COIL		L5801	1-419-774-21	INDUCTOR 0UH		
320		B	COIL		L5802	1-419-774-21	INDUCTOR 0UH		
321		B	COIL		L5803	1-419-774-21	INDUCTOR 0UH		
322		B	COIL		L5804	1-419-774-21	INDUCTOR 0UH		
323		B	COIL		L5805	1-419-774-21	INDUCTOR 0UH		
324		B	TRANSISTOR		Q1006	8-729-013-28	TRANSISTOR HN1B01FU-TE85R		
325		B	TRANSISTOR		Q1009	8-729-025-28	TRANSISTOR 2SK1828		
326		B	TRANSISTOR		Q1010	8-729-025-28	TRANSISTOR 2SK1828		
327		B	TRANSISTOR		Q1013	8-729-025-28	TRANSISTOR 2SK1828		
328		B	TRANSISTOR		Q1014	8-729-025-28	TRANSISTOR 2SK1828		
329		B	TRANSISTOR		Q1015	8-729-907-00	TRANSISTOR DTC114EU		
330		B	TRANSISTOR		Q1016	8-729-907-00	TRANSISTOR DTC114EU		
331		B	TRANSISTOR		Q1017	8-729-025-28	TRANSISTOR 2SK1828		
332		B	TRANSISTOR		Q1018	8-729-025-28	TRANSISTOR 2SK1828		
333		B	TRANSISTOR		Q3004	8-729-117-73	TRANSISTOR 2SC4178-F14		
334		B	TRANSISTOR		Q3005	8-729-117-73	TRANSISTOR 2SC4178-F14		
335		B	TRANSISTOR		Q3006	8-729-117-73	TRANSISTOR 2SC4178-F14		
336		B	TRANSISTOR		Q3007	8-729-122-63	TRANSISTOR 2SA1226-E4		
337		B	TRANSISTOR		Q3008	8-729-122-63	TRANSISTOR 2SA1226-E4		
338		B	TRANSISTOR		Q3009	8-729-122-63	TRANSISTOR 2SA1226-E4		
339		B	TRANSISTOR		Q3011	6-550-585-01	TRANSISTOR 2PC4081R-115		
340		B	TRANSISTOR		Q3012	8-729-117-73	TRANSISTOR 2SC4178-F14		
341		B	TRANSISTOR		Q3013	8-729-117-73	TRANSISTOR 2SC4178-F14		
342		B	TRANSISTOR		Q3015	8-729-010-25	TRANSISTOR MSD601-RT1		
343		B	TRANSISTOR		Q3301	8-729-907-00	TRANSISTOR DTC114EU		
344		B	TRANSISTOR		Q3304	6-550-586-01	TRANSISTOR 2PA1576R-115		
345		B	TRANSISTOR		Q3305	6-550-585-01	TRANSISTOR 2PC4081R-115		
346		B	TRANSISTOR		Q5806	8-729-907-00	TRANSISTOR DTC114EU		
347		B	RESISTOR		R1005	1-218-990-11	SHORT CHIP 0		
348		B	RESISTOR		R1006	1-218-990-11	SHORT CHIP 0		
349		B	RESISTOR		R1007	1-218-990-11	SHORT CHIP 0		
350		B	RESISTOR		R1008	1-218-990-11	SHORT CHIP 0		
351		B	RESISTOR		R1009	1-218-990-11	SHORT CHIP 0		
352		B	RESISTOR		R1010	1-218-965-11	RES-CHIP 10K 5% 1/16W		
353		B	RESISTOR		R1011	1-218-965-11	RES-CHIP 10K 5% 1/16W		
354		B	RESISTOR		R1012	1-218-973-11	RES-CHIP 47K 5% 1/16W		
355		B	RESISTOR		R1013	1-218-965-11	RES-CHIP 10K 5% 1/16W		
356		B	RESISTOR		R1014	1-218-973-11	RES-CHIP 47K 5% 1/16W		
357		B	RESISTOR		R1015	1-218-965-11	RES-CHIP 10K 5% 1/16W		
358		B	RESISTOR		R1016	1-218-961-11	RES-CHIP 4.7K 5% 1/16W		
359		B	RESISTOR		R1017	1-216-805-11	METAL CHIP 47 5% 1/10W		
360		B	RESISTOR		R1018	1-216-805-11	METAL CHIP 47 5% 1/10W		
361		B	RESISTOR		R1020	1-216-864-11	SHORT CHIP 0		
362		B	RESISTOR		R1022	1-216-864-11	SHORT CHIP 0		
363		B	RESISTOR		R1023	1-216-864-11	SHORT CHIP 0		
364		B	RESISTOR		R1024	1-216-864-11	SHORT CHIP 0		
365		B	RESISTOR		R1025	1-216-864-11	SHORT CHIP 0		

No.	#	Board	Type	Δ/V^*	Ref. No.	Part No.	Description	Remarks-1	Remarks-2
366		B	RESISTOR		R1026	1-216-864-11	SHORT CHIP 0		
367		B	RESISTOR		R1027	1-216-864-11	SHORT CHIP 0		
368		B	RESISTOR		R1028	1-218-990-11	SHORT CHIP 0		
369		B	RESISTOR		R1034	1-218-961-11	RES-CHIP 4.7K 5% 1/16W		
370		B	RESISTOR		R1036	1-216-864-11	SHORT CHIP 0		
371		B	RESISTOR		R1037	1-216-864-11	SHORT CHIP 0		
372		B	RESISTOR		R1048	1-218-961-11	RES-CHIP 4.7K 5% 1/16W		
373		B	RESISTOR		R1049	1-218-961-11	RES-CHIP 4.7K 5% 1/16W		
374		B	RESISTOR		R1055	1-218-961-11	RES-CHIP 4.7K 5% 1/16W		
375		B	RESISTOR		R1058	1-220-183-81	RES-CHIP 1.1K 5% 1/16W		
376		B	RESISTOR		R1060	1-218-941-81	RES-CHIP 100 5% 1/16W		
377		B	RESISTOR		R1061	1-218-941-81	RES-CHIP 100 5% 1/16W		
378		B	RESISTOR		R1062	1-218-941-81	RES-CHIP 100 5% 1/16W		
379		B	RESISTOR		R1066	1-218-941-81	RES-CHIP 100 5% 1/16W		
380		B	RESISTOR		R1067	1-218-941-81	RES-CHIP 100 5% 1/16W		
381		B	RESISTOR		R1068	1-218-965-11	RES-CHIP 10K 5% 1/16W		
382		B	RESISTOR		R1070	1-218-965-11	RES-CHIP 10K 5% 1/16W		
383		B	RESISTOR		R1071	1-218-965-11	RES-CHIP 10K 5% 1/16W		
384		B	RESISTOR		R1072	1-208-635-11	RES-CHIP 10 0.5% 1/16W		
385		B	RESISTOR		R1073	1-216-833-11	METAL CHIP 10K 5% 1/10W		
386		B	RESISTOR		R1074	1-218-945-11	RES-CHIP 220 5% 1/16W		
387		B	RESISTOR		R1075	1-218-945-11	RES-CHIP 220 5% 1/16W		
388		B	RESISTOR		R1076	1-218-945-11	RES-CHIP 220 5% 1/16W		
389		B	RESISTOR		R1077	1-216-841-11	METAL CHIP 47K 5% 1/10W		
390		B	RESISTOR		R1081	1-216-841-11	METAL CHIP 47K 5% 1/10W		
391		B	RESISTOR		R1082	1-218-965-11	RES-CHIP 10K 5% 1/16W		
392		B	RESISTOR		R1084	1-218-965-11	RES-CHIP 10K 5% 1/16W		
393		B	RESISTOR		R1085	1-218-965-11	RES-CHIP 10K 5% 1/16W		
394		B	RESISTOR		R1086	1-218-941-81	RES-CHIP 100 5% 1/16W		
395		B	RESISTOR		R1087	1-218-941-81	RES-CHIP 100 5% 1/16W		
396		B	RESISTOR		R1088	1-218-959-11	RES-CHIP 3.3K 5% 1/16W		
397		B	RESISTOR		R1089	1-218-941-81	RES-CHIP 100 5% 1/16W		
398		B	RESISTOR		R1090	1-218-941-81	RES-CHIP 100 5% 1/16W		
399		B	RESISTOR		R1091	1-218-941-81	RES-CHIP 100 5% 1/16W		
400		B	RESISTOR		R1092	1-218-941-81	RES-CHIP 100 5% 1/16W		
401		B	RESISTOR		R1093	1-218-945-11	RES-CHIP 220 5% 1/16W		
402		B	RESISTOR		R1094	1-218-965-11	RES-CHIP 10K 5% 1/16W		
403		B	RESISTOR		R1095	1-218-961-11	RES-CHIP 4.7K 5% 1/16W		
404		B	RESISTOR		R1096	1-218-965-11	RES-CHIP 10K 5% 1/16W		
405		B	RESISTOR		R1099	1-218-965-11	RES-CHIP 10K 5% 1/16W		
406		B	RESISTOR		R1100	1-216-864-11	SHORT CHIP 0		
407		B	RESISTOR		R1101	1-216-864-11	SHORT CHIP 0		
408		B	RESISTOR		R1102	1-216-864-11	SHORT CHIP 0		
409		B	RESISTOR		R1103	1-216-864-11	SHORT CHIP 0		
410		B	RESISTOR		R1104	1-216-813-11	METAL CHIP 220 5% 1/10W		
411		B	RESISTOR		R1105	1-216-864-11	SHORT CHIP 0		
412		B	RESISTOR		R1107	1-216-818-11	METAL CHIP 560 5% 1/10W		
413		B	RESISTOR		R1108	1-218-961-11	RES-CHIP 4.7K 5% 1/16W		
414		B	RESISTOR		R1144	1-218-973-11	RES-CHIP 47K 5% 1/16W		
415		B	RESISTOR		R1145	1-218-973-11	RES-CHIP 47K 5% 1/16W		
416		B	RESISTOR		R1146	1-218-973-11	RES-CHIP 47K 5% 1/16W		
417		B	RESISTOR		R1147	1-218-961-11	RES-CHIP 4.7K 5% 1/16W		
418		B	RESISTOR		R1148	1-218-961-11	RES-CHIP 4.7K 5% 1/16W		
419		B	RESISTOR		R1151	1-218-965-11	RES-CHIP 10K 5% 1/16W		
420		B	RESISTOR		R1152	1-218-965-11	RES-CHIP 10K 5% 1/16W		
421		B	RESISTOR		R1157	1-218-959-11	RES-CHIP 3.3K 5% 1/16W		
422		B	RESISTOR		R1158	1-218-945-11	RES-CHIP 220 5% 1/16W		
423		B	RESISTOR		R1159	1-218-941-81	RES-CHIP 100 5% 1/16W		
424		B	RESISTOR		R1160	1-218-941-81	RES-CHIP 100 5% 1/16W		
425		B	RESISTOR		R1163	1-216-821-11	METAL CHIP 1K 5% 1/10W		
426		B	RESISTOR		R1164	1-216-841-11	METAL CHIP 47K 5% 1/10W		
427		B	RESISTOR		R1165	1-216-841-11	METAL CHIP 47K 5% 1/10W		
428		B	RESISTOR		R1166	1-216-829-11	METAL CHIP 4.7K 5% 1/10W		
429		B	RESISTOR		R1167	1-216-829-11	METAL CHIP 4.7K 5% 1/10W		
430		B	RESISTOR		R1168	1-216-833-11	METAL CHIP 10K 5% 1/10W		
431		B	RESISTOR		R1169	1-216-833-11	METAL CHIP 10K 5% 1/10W		
432		B	RESISTOR		R1170	1-216-809-11	METAL CHIP 100 5% 1/10W		
433		B	RESISTOR		R1172	1-216-849-11	METAL CHIP 220K 5% 1/10W		
434		B	RESISTOR		R1173	1-218-941-81	RES-CHIP 100 5% 1/16W		
435		B	RESISTOR		R1177	1-216-864-11	SHORT CHIP 0		
436		B	RESISTOR		R1178	1-216-864-11	SHORT CHIP 0		
437		B	RESISTOR		R3001	1-216-809-11	METAL CHIP 100 5% 1/10W		
438		B	RESISTOR		R3002	1-216-809-11	METAL CHIP 100 5% 1/10W		

No.	#	Board	Type	Δ/\ast	Ref. No.	Part No.	Description	Remarks-1	Remarks-2
439		B	RESISTOR		R3003	1-216-809-11	METAL CHIP 100 5% 1/10W		
440		B	RESISTOR		R3026	1-218-952-11	RES-CHIP 820 5% 1/16W		
441		B	RESISTOR		R3027	1-218-952-11	RES-CHIP 820 5% 1/16W		
442		B	RESISTOR		R3028	1-218-952-11	RES-CHIP 820 5% 1/16W		
443		B	RESISTOR		R3053	1-218-675-11	METAL CHIP 200 0.5% 1/10W		
444		B	RESISTOR		R3054	1-218-679-11	METAL CHIP 300 0.5% 1/10W		
445		B	RESISTOR		R3055	1-218-679-11	METAL CHIP 300 0.5% 1/10W		
446		B	RESISTOR		R3059	1-218-675-11	METAL CHIP 200 0.5% 1/10W		
447		B	RESISTOR		R3060	1-218-679-11	METAL CHIP 300 0.5% 1/10W		
448		B	RESISTOR		R3061	1-218-679-11	METAL CHIP 300 0.5% 1/10W		
449		B	RESISTOR		R3062	1-216-809-11	METAL CHIP 100 5% 1/10W		
450		B	RESISTOR		R3063	1-216-809-11	METAL CHIP 100 5% 1/10W		
451		B	RESISTOR		R3064	1-216-809-11	METAL CHIP 100 5% 1/10W		
452		B	RESISTOR		R3066	1-216-823-11	METAL CHIP 1.5K 5% 1/10W		
453		B	RESISTOR		R3067	1-216-823-11	METAL CHIP 1.5K 5% 1/10W		
454		B	RESISTOR		R3068	1-216-823-11	METAL CHIP 1.5K 5% 1/10W		
455		B	RESISTOR		R3070	1-216-864-11	SHORT CHIP 0		
456		B	RESISTOR		R3074	1-216-864-11	SHORT CHIP 0		
457		B	RESISTOR		R3075	1-216-864-11	SHORT CHIP 0		
458		B	RESISTOR		R3083	1-216-864-11	SHORT CHIP 0		
459		B	RESISTOR		R3084	1-218-684-11	METAL CHIP 470 0.5% 1/10W		
460		B	RESISTOR		R3085	1-218-684-11	METAL CHIP 470 0.5% 1/10W		
461		B	RESISTOR		R3086	1-218-684-11	METAL CHIP 470 0.5% 1/10W		
462		B	RESISTOR		R3088	1-216-864-11	SHORT CHIP 0		
463		B	RESISTOR		R3090	1-218-684-11	METAL CHIP 470 0.5% 1/10W		
464		B	RESISTOR		R3091	1-218-712-11	METAL CHIP 6.8K 0.5% 1/10W		
465		B	RESISTOR		R3092	1-218-706-11	METAL CHIP 3.9K 0.5% 1/10W		
466		B	RESISTOR		R3093	1-218-684-11	METAL CHIP 470 0.5% 1/10W		
467		B	RESISTOR		R3094	1-218-708-11	METAL CHIP 4.7K 0.5% 1/10W		
468		B	RESISTOR		R3096	1-218-684-11	METAL CHIP 470 0.5% 1/10W		
469		B	RESISTOR		R3098	1-218-708-11	METAL CHIP 4.7K 0.5% 1/10W		
470		B	RESISTOR		R3099	1-218-652-11	METAL CHIP 22 0.5% 1/10W		
471		B	RESISTOR		R3100	1-218-708-11	METAL CHIP 4.7K 0.5% 1/10W		
472		B	RESISTOR		R3101	1-216-847-11	METAL CHIP 150K 5% 1/10W		
473		B	RESISTOR		R3104	1-218-668-11	METAL CHIP 100 0.5% 1/10W		
474		B	RESISTOR		R3106	1-218-688-11	METAL CHIP 680 0.5% 1/10W		
475		B	RESISTOR		R3107	1-218-668-11	METAL CHIP 100 0.5% 1/10W		
476		B	RESISTOR		R3109	1-218-965-11	RES-CHIP 10K 5% 1/16W		
477		B	RESISTOR		R3111	1-216-864-11	SHORT CHIP 0		
478		B	RESISTOR		R3112	1-218-688-11	METAL CHIP 680 0.5% 1/10W		
479		B	RESISTOR		R3113	1-216-864-11	SHORT CHIP 0		
480		B	RESISTOR		R3115	1-216-864-11	SHORT CHIP 0		
481		B	RESISTOR		R3116	1-216-864-11	SHORT CHIP 0		
482		B	RESISTOR		R3120	1-218-965-11	RES-CHIP 10K 5% 1/16W		
483		B	RESISTOR		R3121	1-218-965-11	RES-CHIP 10K 5% 1/16W		
484		B	RESISTOR		R3122	1-218-692-11	METAL CHIP 1K 0.5% 1/10W		
485		B	RESISTOR		R3123	1-218-692-11	METAL CHIP 1K 0.5% 1/10W		
486		B	RESISTOR		R3124	1-218-693-11	METAL CHIP 1.1K 0.5% 1/10W		
487		B	RESISTOR		R3125	1-218-692-11	METAL CHIP 1K 0.5% 1/10W		
488		B	RESISTOR		R3126	1-216-864-11	SHORT CHIP 0		
489		B	RESISTOR		R3127	1-218-708-11	METAL CHIP 4.7K 0.5% 1/10W		
490		B	RESISTOR		R3128	1-218-696-11	METAL CHIP 1.5K 0.5% 1/10W		
491		B	RESISTOR		R3129	1-216-864-11	SHORT CHIP 0		
492		B	RESISTOR		R3131	1-218-720-11	METAL CHIP 15K 0.5% 1/10W		
493		B	RESISTOR		R3136	1-218-965-11	RES-CHIP 10K 5% 1/16W		
494		B	RESISTOR		R3137	1-216-864-11	SHORT CHIP 0		
495		B	RESISTOR		R3138	1-218-941-81	RES-CHIP 100 5% 1/16W		
496		B	RESISTOR		R3139	1-218-941-81	RES-CHIP 100 5% 1/16W		
497		B	RESISTOR		R3141	1-216-864-11	SHORT CHIP 0		
498		B	RESISTOR		R3142	1-216-864-11	SHORT CHIP 0		
499		B	RESISTOR		R3143	1-218-990-11	SHORT CHIP 0		
500		B	RESISTOR		R3144	1-216-864-11	SHORT CHIP 0		
501		B	RESISTOR		R3145	1-218-990-11	SHORT CHIP 0		
502		B	RESISTOR		R3146	1-218-933-11	RES-CHIP 22 5% 1/16W		
503		B	RESISTOR		R3147	1-218-985-11	RES-CHIP 470K 5% 1/16W		
504		B	RESISTOR		R3148	1-216-864-11	SHORT CHIP 0		
505		B	RESISTOR		R3149	1-216-864-11	SHORT CHIP 0		
506		B	RESISTOR		R3150	1-218-933-11	RES-CHIP 22 5% 1/16W		
507		B	RESISTOR		R3151	1-218-937-11	RES-CHIP 47 5% 1/16W		
508		B	RESISTOR		R3152	1-218-937-11	RES-CHIP 47 5% 1/16W		
509		B	RESISTOR		R3153	1-216-864-11	SHORT CHIP 0		
510		B	RESISTOR		R3155	1-218-965-11	RES-CHIP 10K 5% 1/16W		
511		B	RESISTOR		R3156	1-218-965-11	RES-CHIP 10K 5% 1/16W		

No.	#	Board	Type	Δ /*	Ref. No.	Part No.	Description	Remarks-1	Remarks-2
512		B	RESISTOR		R3157	1-218-933-11	RES-CHIP 22 5% 1/16W		
513		B	RESISTOR		R3158	1-218-965-11	RES-CHIP 10K 5% 1/16W		
514		B	RESISTOR		R3159	1-218-965-11	RES-CHIP 10K 5% 1/16W		
515		B	RESISTOR		R3162	1-218-937-11	RES-CHIP 47 5% 1/16W		
516		B	RESISTOR		R3163	1-218-937-11	RES-CHIP 47 5% 1/16W		
517		B	RESISTOR		R3164	1-218-965-11	RES-CHIP 10K 5% 1/16W		
518		B	RESISTOR		R3165	1-218-965-11	RES-CHIP 10K 5% 1/16W		
519		B	RESISTOR		R3166	1-218-965-11	RES-CHIP 10K 5% 1/16W		
520		B	RESISTOR		R3167	1-218-965-11	RES-CHIP 10K 5% 1/16W		
521		B	RESISTOR		R3168	1-218-990-11	SHORT CHIP 0		
522		B	RESISTOR		R3169	1-218-990-11	SHORT CHIP 0		
523		B	RESISTOR		R3170	1-218-937-11	RES-CHIP 47 5% 1/16W		
524		B	RESISTOR		R3174	1-216-864-11	SHORT CHIP 0		
525		B	RESISTOR		R3175	1-216-864-11	SHORT CHIP 0		
526		B	RESISTOR		R3176	1-216-864-11	SHORT CHIP 0		
527		B	RESISTOR		R3177	1-216-864-11	SHORT CHIP 0		
528		B	RESISTOR		R3178	1-216-864-11	SHORT CHIP 0		
529		B	RESISTOR		R3179	1-216-864-11	SHORT CHIP 0		
530		B	RESISTOR		R3180	1-216-864-11	SHORT CHIP 0		
531		B	RESISTOR		R3181	1-216-864-11	SHORT CHIP 0		
532		B	RESISTOR		R3301	1-218-933-11	RES-CHIP 22 5% 1/16W		
533		B	RESISTOR		R3302	1-218-990-11	SHORT CHIP 0		
534		B	RESISTOR		R3303	1-218-990-11	SHORT CHIP 0		
535		B	RESISTOR		R3308	1-218-937-11	RES-CHIP 47 5% 1/16W		
536		B	RESISTOR		R3309	1-218-945-11	METAL CHIP 220 5% 1/16W		
537		B	RESISTOR		R3310	1-218-945-11	METAL CHIP 220 5% 1/16W		
538		B	RESISTOR		R3311	1-208-695-11	METAL CHIP 3.3K 0.5% 1/16W		
539		B	RESISTOR		R3312	1-218-945-11	METAL CHIP 220 5% 1/16W		
540		B	RESISTOR		R3313	1-218-990-11	SHORT CHIP 0		
541		B	RESISTOR		R3314	1-218-990-11	SHORT CHIP 0		
542		B	RESISTOR		R3315	1-218-990-11	SHORT CHIP 0		
543		B	RESISTOR		R3318	1-220-180-11	METAL CHIP 620 5% 1/16W		
544		B	RESISTOR		R3319	1-208-873-81	METAL CHIP 270 0.5% 1/16W		
545		B	RESISTOR		R3320	1-218-990-11	SHORT CHIP 0		
546		B	RESISTOR		R3321	1-218-990-11	SHORT CHIP 0		
547		B	RESISTOR		R3322	1-218-990-11	SHORT CHIP 0		
548		B	RESISTOR		R3323	1-218-990-11	SHORT CHIP 0		
549		B	RESISTOR		R3325	1-218-941-81	RES-CHIP 100 5% 1/16W		
550		B	RESISTOR		R3326	1-218-941-81	RES-CHIP 100 5% 1/16W		
551		B	RESISTOR		R3328	1-218-990-11	SHORT CHIP 0		
552		B	RESISTOR		R3329	1-218-990-11	SHORT CHIP 0		
553		B	RESISTOR		R3330	1-218-990-11	SHORT CHIP 0		
554		B	RESISTOR		R3331	1-218-990-11	SHORT CHIP 0		
555		B	RESISTOR		R3332	1-218-990-11	SHORT CHIP 0		
556		B	RESISTOR		R3333	1-218-990-11	SHORT CHIP 0		
557		B	RESISTOR		R3334	1-218-990-11	SHORT CHIP 0		
558		B	RESISTOR		R3337	1-218-990-11	SHORT CHIP 0		
559		B	RESISTOR		R3338	1-218-990-11	SHORT CHIP 0		
560		B	RESISTOR		R3341	1-218-990-11	SHORT CHIP 0		
561		B	RESISTOR		R3344	1-218-933-11	RES-CHIP 22 5% 1/16W		
562		B	RESISTOR		R3345	1-218-933-11	RES-CHIP 22 5% 1/16W		
563		B	RESISTOR		R3346	1-218-990-11	SHORT CHIP 0		
564		B	RESISTOR		R3347	1-218-990-11	SHORT CHIP 0		
565		B	RESISTOR		R3351	1-218-959-11	RES-CHIP 3.3K 5% 1/16W		
566		B	RESISTOR		R3352	1-218-990-11	SHORT CHIP 0		
567		B	RESISTOR		R3353	1-218-959-11	RES-CHIP 3.3K 5% 1/16W		
568		B	RESISTOR		R3356	1-218-990-11	SHORT CHIP 0		
569		B	RESISTOR		R3357	1-218-990-11	SHORT CHIP 0		
570		B	RESISTOR		R3359	1-218-990-11	SHORT CHIP 0		
571		B	RESISTOR		R3361	1-218-941-81	RES-CHIP 100 5% 1/16W		
572		B	RESISTOR		R3362	1-218-941-81	RES-CHIP 100 5% 1/16W		
573		B	RESISTOR		R3364	1-218-965-11	RES-CHIP 10K 5% 1/16W		
574		B	RESISTOR		R3365	1-218-990-11	SHORT CHIP 0		
575		B	RESISTOR		R3366	1-218-990-11	SHORT CHIP 0		
576		B	RESISTOR		R3370	1-218-933-11	RES-CHIP 22 5% 1/16W		
577		B	RESISTOR		R3371	1-218-985-11	RES-CHIP 470K 5% 1/16W		
578		B	RESISTOR		R3372	1-218-969-11	RES-CHIP 22K 5% 1/16W		
579		B	RESISTOR		R3373	1-218-933-11	RES-CHIP 22 5% 1/16W		
580		B	RESISTOR		R3374	1-218-945-11	RES-CHIP 220 5% 1/16W		
581		B	RESISTOR		R3375	1-218-953-11	RES-CHIP 1K 5% 1/16W		
582		B	RESISTOR		R3376	1-218-947-11	RES-CHIP 330 5% 1/16W		
583		B	RESISTOR		R3377	1-218-945-11	RES-CHIP 220 5% 1/16W		
584		B	RESISTOR		R3378	1-218-959-11	RES-CHIP 3.3K 5% 1/16W		

No.	#	Board	Type	Δ /*	Ref. No.	Part No.	Description	Remarks-1	Remarks-2
585		B	RESISTOR		R3379	1-208-696-11	RES-CHIP 3.6K 0.5% 1/16W		
586		B	RESISTOR		R3380	1-218-990-11	SHORT CHIP 0		
587		B	RESISTOR		R3381	1-218-985-11	RES-CHIP 470K 5% 1/16W		
588		B	RESISTOR		R3382	1-218-965-11	RES-CHIP 10K 5% 1/16W		
589		B	RESISTOR		R3383	1-218-990-11	SHORT CHIP 0		
590		B	RESISTOR		R5002	1-216-859-11	METAL CHIP 1.5M 5% 1/10W		
591		B	RESISTOR		R5004	1-218-990-11	SHORT CHIP 0		
592		B	RESISTOR		R5009	1-216-864-11	SHORT CHIP 0		
593		B	RESISTOR		R5011	1-216-864-11	SHORT CHIP 0		
594		B	RESISTOR		R5013	1-218-959-11	RES-CHIP 3.3K 5% 1/16W		
595		B	RESISTOR		R5016	1-218-959-11	RES-CHIP 3.3K 5% 1/16W		
596		B	RESISTOR		R5021	1-216-864-11	SHORT CHIP 0		
597		B	RESISTOR		R5022	1-216-827-11	METAL CHIP 3.3K 5% 1/10W		
598		B	RESISTOR		R5027	1-216-864-11	SHORT CHIP 0		
599		B	RESISTOR		R5028	1-216-864-11	SHORT CHIP 0		
600		B	RESISTOR		R5029	1-216-864-11	SHORT CHIP 0		
601		B	RESISTOR		R5030	1-216-864-11	SHORT CHIP 0		
602		B	RESISTOR		R5033	1-218-990-11	SHORT CHIP 0		
603		B	RESISTOR		R5034	1-216-864-11	SHORT CHIP 0		
604		B	RESISTOR		R5035	1-216-864-11	SHORT CHIP 0		
605		B	RESISTOR		R5036	1-216-864-11	SHORT CHIP 0		
606		B	RESISTOR		R5037	1-216-864-11	SHORT CHIP 0		
607		B	RESISTOR		R5043	1-218-965-11	RES-CHIP 10K 5% 1/16W		
608		B	RESISTOR		R5044	1-218-965-11	RES-CHIP 10K 5% 1/16W		
609		B	RESISTOR		R5049	1-216-864-11	SHORT CHIP 0		
610		B	RESISTOR		R5053	1-216-809-11	METAL CHIP 100 5% 1/10W		
611		B	RESISTOR		R5054	1-216-827-11	METAL CHIP 3.3K 5% 1/10W		
612		B	RESISTOR		R5059	1-216-864-11	SHORT CHIP 0		
613		B	RESISTOR		R5060	1-216-864-11	SHORT CHIP 0		
614		B	RESISTOR		R5062	1-216-864-11	SHORT CHIP 0		
615		B	RESISTOR		R5063	1-216-864-11	SHORT CHIP 0		
616		B	RESISTOR		R5064	1-218-990-11	SHORT CHIP 0		
617		B	RESISTOR		R5065	1-218-990-11	SHORT CHIP 0		
618		B	RESISTOR		R5066	1-218-990-11	SHORT CHIP 0		
619		B	RESISTOR		R5067	1-218-990-11	SHORT CHIP 0		
620		B	RESISTOR		R5069	1-216-864-11	SHORT CHIP 0		
621		B	RESISTOR		R5070	1-218-990-11	SHORT CHIP 0		
622		B	RESISTOR		R5078	1-216-839-11	METAL CHIP 33K 5% 1/10W		
623		B	RESISTOR		R5079	1-216-833-11	METAL CHIP 10K 5% 1/10W		
624		B	RESISTOR		R5081	1-216-809-11	METAL CHIP 100 5% 1/10W		
625		B	RESISTOR		R5085	1-216-864-11	SHORT CHIP 0		
626		B	RESISTOR		R5089	1-216-864-11	SHORT CHIP 0		
627		B	RESISTOR		R5090	1-216-839-11	METAL CHIP 33K 5% 1/10W		
628		B	RESISTOR		R5097	1-216-864-11	SHORT CHIP 0		
629		B	RESISTOR		R5098	1-218-961-11	RES-CHIP 4.7K 5% 1/16W		
630		B	RESISTOR		R5099	1-216-864-11	SHORT CHIP 0		
631		B	RESISTOR		R5101	1-218-959-11	RES-CHIP 3.3K 5% 1/16W		
632		B	RESISTOR		R5102	1-218-864-11	METAL CHIP 5.1K 0.5% 1/10W		
633		B	RESISTOR		R5103	1-208-675-11	METAL CHIP 470 0.5% 1/16W		
634		B	RESISTOR		R5104	1-208-898-81	METAL CHIP 3K 0.5% 1/16W		
635		B	RESISTOR		R5105	1-208-683-11	METAL CHIP 1K 0.5% 1/16W		
636		B	RESISTOR		R5106	1-216-864-11	SHORT CHIP 0		
637		B	RESISTOR		R5107	1-216-864-11	SHORT CHIP 0		
638		B	RESISTOR		R5113	1-216-864-11	SHORT CHIP 0		
639		B	RESISTOR		R5201	1-216-825-11	METAL CHIP 2.2K 5% 1/10W		
640		B	RESISTOR		R5202	1-218-990-11	SHORT CHIP 0		
641		B	RESISTOR		R5203	1-218-990-11	SHORT CHIP 0		
642		B	RESISTOR		R5204	1-218-959-11	RES-CHIP 3.3K 5% 1/16W		
643		B	RESISTOR		R5206	1-218-990-11	SHORT CHIP 0		
644		B	RESISTOR		R5208	1-216-864-11	SHORT CHIP 0		
645		B	RESISTOR		R5213	1-216-864-11	SHORT CHIP 0		
646		B	RESISTOR		R5214	1-216-864-11	SHORT CHIP 0		
647		B	RESISTOR		R5215	1-216-864-11	SHORT CHIP 0		
648		B	RESISTOR		R5216	1-218-652-11	METAL CHIP 22 0.5% 1/10W		
649		B	RESISTOR		R5218	1-216-864-11	SHORT CHIP 0		
650		B	RESISTOR		R5219	1-216-864-11	SHORT CHIP 0		
651		B	RESISTOR		R5220	1-216-864-11	SHORT CHIP 0		
652		B	RESISTOR		R5221	1-216-864-11	SHORT CHIP 0		
653		B	RESISTOR		R5222	1-218-990-11	SHORT CHIP 0		
654		B	RESISTOR		R5223	1-218-990-11	SHORT CHIP 0		
655		B	RESISTOR		R5225	1-218-933-11	RES-CHIP 22 5% 1/16W		
656		B	RESISTOR		R5226	1-218-933-11	RES-CHIP 22 5% 1/16W		
657		B	RESISTOR		R5227	1-218-937-11	RES-CHIP 47 5% 1/16W		

No.	#	Board	Type	△/*	Ref. No.	Part No.	Description	Remarks-1	Remarks-2
658		B	RESISTOR		R5820	1-216-864-11	SHORT CHIP 0		
659		B	RESISTOR		R5823	1-216-833-11	METAL CHIP 10K 5% 1/10W		
660		B	RESISTOR		R5824	1-216-833-11	METAL CHIP 10K 5% 1/10W		
661		B	RESISTOR		R5835	1-216-829-11	METAL CHIP 4.7K 5% 1/10W		
662		B	RESISTOR		R5836	1-218-990-11	SHORT CHIP 0		
663		B	RESISTOR		R5837	1-216-827-11	METAL CHIP 3.3K 5% 1/10W		
664		B	RESISTOR		R5838	1-216-864-11	SHORT CHIP 0		
665		B	RESISTOR		R5840	1-216-864-11	SHORT CHIP 0		
666		B	RESISTOR		R5841	1-216-864-11	SHORT CHIP 0		
667		B	RESISTOR		R5842	1-216-864-11	SHORT CHIP 0		
668		B	RESISTOR		R5843	1-216-864-11	SHORT CHIP 0		
669		B	RESISTOR		R5844	1-216-864-11	SHORT CHIP 0		
670		B	RESISTOR		R5845	1-216-864-11	SHORT CHIP 0		
671		B	NETWORK		RB1001	1-234-372-21	RES, NETWORK 100X4 (1005)		
672		B	NETWORK		RB1002	1-234-378-21	RES, NETWORK 10KX4 (1005)		
673		B	NETWORK		RB1004	1-239-674-81	RESISTOR, NETWORK 100		
674		B	NETWORK		RB1005	1-234-372-21	RES, NETWORK 100X4 (1005)		
675		B	NETWORK		RB1006	1-234-372-21	RES, NETWORK 100X4 (1005)		
676		B	NETWORK		RB1007	1-234-372-21	RES, NETWORK 100X4 (1005)		
677		B	NETWORK		RB1009	1-234-380-21	RES, NETWORK 47KX4 (1005)		
678		B	NETWORK		RB1011	1-234-372-21	RES, NETWORK 100X4 (1005)		
679		B	NETWORK		RB1012	1-234-372-21	RES, NETWORK 100X4 (1005)		
680		B	NETWORK		RB1013	1-234-372-21	RES, NETWORK 100X4 (1005)		
681		B	NETWORK		RB1014	1-234-372-21	RES, NETWORK 100X4 (1005)		
682		B	NETWORK		RB1015	1-234-372-21	RES, NETWORK 100X4 (1005)		
683		B	NETWORK		RB1016	1-234-372-21	RES, NETWORK 100X4 (1005)		
684		B	NETWORK		RB1017	1-234-372-21	RES, NETWORK 100X4 (1005)		
685		B	NETWORK		RB1018	1-234-372-21	RES, NETWORK 100X4 (1005)		
686		B	NETWORK		RB1019	1-234-372-21	RES, NETWORK 100X4 (1005)		
687		B	NETWORK		RB1021	1-234-372-21	RES, NETWORK 100X4 (1005)		
688		B	NETWORK		RB1023	1-234-372-21	RES, NETWORK 100X4 (1005)		
689		B	NETWORK		RB1024	1-239-674-81	RESISTOR, NETWORK 100		
690		B	NETWORK		RB1025	1-234-372-21	RES, NETWORK 100X4 (1005)		
691		B	NETWORK		RB1026	1-234-372-21	RES, NETWORK 100X4 (1005)		
692		B	NETWORK		RB1027	1-234-372-21	RES, NETWORK 100X4 (1005)		
693		B	NETWORK		RB1028	1-239-674-81	RESISTOR, NETWORK 100		
694		B	NETWORK		RB1029	1-239-674-81	RESISTOR, NETWORK 100		
695		B	NETWORK		RB1030	1-234-372-21	RES, NETWORK 100X4 (1005)		
696		B	NETWORK		RB1031	1-234-372-21	RES, NETWORK 100X4 (1005)		
697		B	NETWORK		RB1032	1-234-372-21	RES, NETWORK 100X4 (1005)		
698		B	NETWORK		RB1033	1-234-372-21	RES, NETWORK 100X4 (1005)		
699		B	NETWORK		RB3001	1-234-378-21	RES, NETWORK 10KX4 (1005)		
700		B	NETWORK		RB3002	1-234-378-21	RES, NETWORK 10KX4 (1005)		
701		B	NETWORK		RB3003	1-234-378-21	RES, NETWORK 10KX4 (1005)		
702		B	NETWORK		RB3004	1-234-378-21	RES, NETWORK 10KX4 (1005)		
703		B	NETWORK		RB3005	1-234-378-21	RES, NETWORK 10KX4 (1005)		
704		B	NETWORK		RB3006	1-234-372-21	RES, NETWORK 100X4 (1005)		
705		B	NETWORK		RB3007	1-234-372-21	RES, NETWORK 100X4 (1005)		
706		B	NETWORK		RB3008	1-234-372-21	RES, NETWORK 100X4 (1005)		
707		B	NETWORK		RB3009	1-234-372-21	RES, NETWORK 100X4 (1005)		
708		B	NETWORK		RB3010	1-234-378-21	RES, NETWORK 10KX4 (1005)		
709		B	NETWORK		RB3011	1-234-372-21	RES, NETWORK 100X4 (1005)		
710		B	NETWORK		RB3012	1-234-372-21	RES, NETWORK 100X4 (1005)		
711		B	NETWORK		RB3013	1-234-378-21	RES, NETWORK 10KX4 (1005)		
712		B	NETWORK		RB3014	1-234-372-21	RES, NETWORK 100X4 (1005)		
713		B	NETWORK		RB3015	1-234-372-21	RES, NETWORK 100X4 (1005)		
714		B	NETWORK		RB3016	1-234-378-21	RES, NETWORK 10KX4 (1005)		
715		B	NETWORK		RB3017	1-234-378-21	RES, NETWORK 10KX4 (1005)		
716		B	NETWORK		RB3018	1-234-378-21	RES, NETWORK 10KX4 (1005)		
717		B	NETWORK		RB3019	1-234-371-21	RES, NETWORK 47X4 (1005)		
718		B	NETWORK		RB3020	1-234-371-21	RES, NETWORK 47X4 (1005)		
719		B	NETWORK		RB3021	1-234-371-21	RES, NETWORK 47X4 (1005)		
720		B	NETWORK		RB3022	1-234-371-21	RES, NETWORK 47X4 (1005)		
721		B	NETWORK		RB3027	1-234-372-21	RES, NETWORK 100X4 (1005)		
722		B	NETWORK		RB3301	1-234-371-21	RES, NETWORK 47X4 (1005)		
723		B	NETWORK		RB3302	1-234-372-21	RES, NETWORK 100X4 (1005)		
724		B	NETWORK		RB3303	1-234-372-21	RES, NETWORK 100X4 (1005)		
725		B	NETWORK		RB3304	1-234-372-21	RES, NETWORK 100X4 (1005)		
726		B	NETWORK		RB3305	1-234-372-21	RES, NETWORK 100X4 (1005)		
727		B	NETWORK		RB3306	1-234-371-21	RES, NETWORK 47X4 (1005)		
728		B	NETWORK		RB3307	1-234-371-21	RES, NETWORK 47X4 (1005)		
729		B	NETWORK		RB3308	1-234-371-21	RES, NETWORK 47X4 (1005)		
730		B	NETWORK		RB3309	1-234-372-21	RES, NETWORK 100X4 (1005)		

No.	#	Board	Type	△/*	Ref. No.	Part No.	Description	Remarks-1	Remarks-2
731		B	NETWORK		RB3310	1-234-372-21	RES, NETWORK 100X4 (1005)		
732		B	NETWORK		RB3311	1-234-372-21	RES, NETWORK 100X4 (1005)		
733		B	NETWORK		RB3312	1-234-372-21	RES, NETWORK 100X4 (1005)		
734		B	NETWORK		RB3313	1-234-372-21	RES, NETWORK 100X4 (1005)		
735		B	NETWORK		RB3314	1-234-372-21	RES, NETWORK 100X4 (1005)		
736		B	NETWORK		RB5013	1-234-371-21	RES, NETWORK 47X4 (1005)		
737		B	NETWORK		RB5014	1-234-371-21	RES, NETWORK 47X4 (1005)		
738		B	NETWORK		RB5015	1-234-371-21	RES, NETWORK 47X4 (1005)		
739		B	NETWORK		RB5016	1-234-371-21	RES, NETWORK 47X4 (1005)		
740		B	NETWORK		RB5017	1-234-371-21	RES, NETWORK 47X4 (1005)		
741		B	NETWORK		RB5018	1-234-371-21	RES, NETWORK 47X4 (1005)		
742		B	NETWORK		RB5023	1-234-371-21	RES, NETWORK 47X4 (1005)		
743		B	NETWORK		RB5024	1-234-371-21	RES, NETWORK 47X4 (1005)		
744		B	NETWORK		RB5025	1-234-371-21	RES, NETWORK 47X4 (1005)		
745		B	NETWORK		RB5026	1-234-371-21	RES, NETWORK 47X4 (1005)		
746		B	NETWORK		RB5027	1-239-674-81	RESISTOR, NETWORK 100		
747		B	NETWORK		RB5028	1-234-370-21	RES, NETWORK 22X4 (1005)		
748		B	NETWORK		RB5029	1-234-370-21	RES, NETWORK 22X4 (1005)		
749		B	NETWORK		RB5030	1-234-370-21	RES, NETWORK 22X4 (1005)		
750		B	NETWORK		RB5031	1-234-370-21	RES, NETWORK 22X4 (1005)		
751		B	NETWORK		RB5032	1-239-674-81	RESISTOR, NETWORK 100		
752		B	NETWORK		RB5033	1-234-370-21	RES, NETWORK 22X4 (1005)		
753		B	NETWORK		RB5034	1-234-370-21	RES, NETWORK 22X4 (1005)		
754		B	NETWORK		RB5035	1-234-370-21	RES, NETWORK 22X4 (1005)		
755		B	NETWORK		RB5036	1-234-370-21	RES, NETWORK 22X4 (1005)		
756		B	NETWORK		RB5037	1-234-370-21	RES, NETWORK 22X4 (1005)		
757		B	NETWORK		RB5038	1-234-370-21	RES, NETWORK 22X4 (1005)		
758		B	CHIP CHCKER		TP1001	1-535-757-11	CHIP, CHECKER		
759		B	CRYSTAL		X1001	1-795-650-21	VIBRATOR, CRYSTAL		
760		B	CRYSTAL		X3002	1-795-951-21	QUARTZ CRYSTAL OSCILLATOR(SMD)		
761		B	CRYSTAL		X5001	1-767-655-21	VIBRATOR, CRYSTAL		
762		D1	CAPACITOR		C8002	1-162-970-11	CERAMIC CHIP 0.01UF 10.00% 25V		
763		D1	CAPACITOR		C8003	1-107-826-11	CERAMIC CHIP 0.1UF 10.00% 16V		
764		D1	CAPACITOR		C8004	1-100-601-91	CERAMIC CHIP 22PF 5% 3.15KV		
765		D1	CAPACITOR		C8005	1-165-176-11	CERAMIC CHIP 0.047UF 10.00% 16V		
766		D1	CAPACITOR		C8006	1-100-601-91	CERAMIC CHIP 22PF 5% 3.15KV		
767		D1	CAPACITOR		C8007	1-165-176-11	CERAMIC CHIP 0.047UF 10.00% 16V		
768		D1	CAPACITOR		C8008	1-127-738-91	CERAMIC CHIP 4.7UF 10% 25V		
769		D1	CAPACITOR		C8009	1-135-960-91	CERAMIC CHIP 10UF 10% 25V		
770		D1	CAPACITOR		C8010	1-135-960-91	CERAMIC CHIP 10UF 10% 25V		
771		D1	CAPACITOR		C8011	1-162-968-11	CERAMIC CHIP 0.0047UF 10.00% 50V		
772		D1	CAPACITOR		C8012	1-162-968-11	CERAMIC CHIP 0.0047UF 10.00% 50V		
773		D1	CAPACITOR		C8013	1-162-927-11	CERAMIC CHIP 100PF 5.00% 50V		
774		D1	CAPACITOR		C8014	1-162-968-11	CERAMIC CHIP 0.0047UF 10.00% 50V		
775		D1	CAPACITOR		C8015	1-165-176-11	CERAMIC CHIP 0.047UF 10.00% 16V		
776		D1	CAPACITOR		C8016	1-162-968-11	CERAMIC CHIP 0.0047UF 10.00% 50V		
777		D1	CAPACITOR		C8017	1-165-176-11	CERAMIC CHIP 0.047UF 10.00% 16V		
778		D1	CAPACITOR		C8018	1-165-176-11	CERAMIC CHIP 0.047UF 10.00% 16V		
779		D1	CAPACITOR		C8019	1-165-875-11	CERAMIC CHIP 10UF 10% 10V		
780		D1	CAPACITOR		C8020	1-127-573-11	CERAMIC CHIP 1UF 10% 16V		
781		D1	CAPACITOR		C8021	1-127-573-11	CERAMIC CHIP 1UF 10% 16V		
782		D1	CAPACITOR		C8022	1-127-715-91	CERAMIC CHIP 0.22UF 10% 16V		
783		D1	CAPACITOR		C8023	1-107-826-11	CERAMIC CHIP 0.1UF 10.00% 16V		
784		D1	CAPACITOR		C8024	1-135-960-91	CERAMIC CHIP 10UF 10% 25V		
785		D1	CAPACITOR		C8025	1-135-960-91	CERAMIC CHIP 10UF 10% 25V		
786		D1	CAPACITOR		C8026	1-127-738-91	CERAMIC CHIP 4.7UF 10% 25V		
787		D1	CAPACITOR		C8027	1-100-601-91	CERAMIC CHIP 22PF 5% 3.15KV		
788		D1	CAPACITOR		C8028	1-165-176-11	CERAMIC CHIP 0.047UF 10.00% 16V		
789		D1	CAPACITOR		C8029	1-100-601-91	CERAMIC CHIP 22PF 5% 3.15KV		
790		D1	CAPACITOR		C8030	1-165-176-11	CERAMIC CHIP 0.047UF 10.00% 16V		
791		D1	CAPACITOR		C8032	1-100-601-91	CERAMIC CHIP 22PF 5% 3.15KV		
792		D1	CAPACITOR		C8033	1-165-176-11	CERAMIC CHIP 0.047UF 10.00% 16V		
793		D1	CAPACITOR		C8034	1-100-601-91	CERAMIC CHIP 22PF 5% 3.15KV		
794		D1	CAPACITOR		C8035	1-165-176-11	CERAMIC CHIP 0.047UF 10.00% 16V		
795		D1	CAPACITOR		C8036	1-135-960-91	CERAMIC CHIP 10UF 10% 25V		
796		D1	CAPACITOR		C8037	1-135-960-91	CERAMIC CHIP 10UF 10% 25V		
797		D1	CAPACITOR		C8038	1-107-826-11	CERAMIC CHIP 0.1UF 10.00% 16V		
798		D1	CAPACITOR		C8039	1-107-826-11	CERAMIC CHIP 0.1UF 10.00% 16V		
799		D1	CAPACITOR		C8040	1-107-826-11	CERAMIC CHIP 0.1UF 10.00% 16V		
800		D1	CAPACITOR		C8041	1-107-826-11	CERAMIC CHIP 0.1UF 10.00% 16V		
801		D1	CONNECTOR	*	CN8001	1-779-268-21	PIN, CONNECTOR (1.5MM)(SMD)11P		
802		D1	CONNECTOR		CN8002	1-817-609-21	PIN, CONNECTOR (PC BOARD) 3P		
803		D1	CONNECTOR		CN8003	1-774-730-21	PIN, CONNECTOR (PC BOARD) 3P		

No.	#	Board	Type	△/*	Ref. No.	Part No.	Description	Remarks-1	Remarks-2
804		D1	CONNECTOR		CN8004	1-817-609-21	PIN, CONNECTOR (PC BOARD) 3P		
805		D1	CONNECTOR		CN8005	1-774-730-21	PIN, CONNECTOR (PC BOARD) 3P		
806		D1	DIODE		D8001	8-719-820-41	DIODE 1SS302		
807		D1	DIODE		D8002	8-719-988-61	DIODE 1SS355TE-17		
808		D1	DIODE		D8003	8-719-820-41	DIODE 1SS302		
809		D1	DIODE		D8004	8-719-820-41	DIODE 1SS302		
810		D1	DIODE		D8005	8-719-069-54	DIODE UDZSTE-175.1B		
811		D1	DIODE		D8006	8-719-069-54	DIODE UDZSTE-175.1B		
812		D1	DIODE		D8007	8-719-820-41	DIODE 1SS302		
813		D1	DIODE		D8008	8-719-820-41	DIODE 1SS302		
814		D1	DIODE		D8009	8-719-988-61	DIODE 1SS355TE-17		
815		D1	DIODE		D8010	8-719-820-41	DIODE 1SS302		
816		D1	DIODE		D8011	8-719-820-41	DIODE 1SS302		
817		D1	DIODE		D8012	8-719-820-41	DIODE 1SS302		
818		D1	DIODE		D8013	8-719-988-61	DIODE 1SS355TE-17		
819		D1	DIODE		D8014	8-719-988-61	DIODE 1SS355TE-17		
820		D1	IC		IC8001	6-704-253-01	IC BD9766FV-E2		
821		D1	IC LINK	△	PS8001	1-576-731-21	IC LINK 2.5A 24V		
822		D1	IC LINK	△	PS8002	1-576-731-21	IC LINK 2.5A 24V		
823		D1	TRANSISTOR		Q8001	8-729-046-04	TRANSISTOR FDS6690A		
824		D1	TRANSISTOR		Q8002	8-729-054-36	TRANSISTOR UPA1716G-E2		
825		D1	TRANSISTOR		Q8003	8-729-046-04	TRANSISTOR FDS6690A		
826		D1	TRANSISTOR		Q8004	8-729-054-36	TRANSISTOR UPA1716G-E2		
827		D1	TRANSISTOR		Q8005	6-550-555-01	TRANSISTOR UMH2NL02TN		
828		D1	TRANSISTOR		Q8006	6-550-555-01	TRANSISTOR UMH2NL02TN		
829		D1	TRANSISTOR		Q8007	8-729-050-11	TRANSISTOR UMW1NTR		
830		D1	RESISTOR		R8001	1-216-816-11	METAL CHIP 390 5% 1/10W		
831		D1	RESISTOR		R8002	1-218-680-11	METAL CHIP 330 0.5% 1/10W		
832		D1	RESISTOR		R8003	1-218-663-11	METAL CHIP 62 0.5% 1/10W		
833		D1	RESISTOR		R8004	1-218-692-11	METAL CHIP 1K 0.5% 1/10W		
834		D1	RESISTOR		R8005	1-218-752-11	METAL CHIP 330K 0.5% 1/10W		
835		D1	RESISTOR		R8006	1-216-837-11	METAL CHIP 22K 5% 1/10W		
836		D1	RESISTOR		R8007	1-218-738-11	METAL CHIP 82K 0.5% 1/10W		
837		D1	RESISTOR		R8008	1-216-845-11	METAL CHIP 100K 5% 1/10W		
838		D1	RESISTOR		R8009	1-218-740-11	METAL CHIP 100K 0.5% 1/10W		
839		D1	RESISTOR		R8010	1-216-833-11	METAL CHIP 10K 5% 1/10W		
840		D1	RESISTOR		R8011	1-218-738-11	METAL CHIP 82K 0.5% 1/10W		
841		D1	RESISTOR		R8012	1-218-741-11	METAL CHIP 110K 0.5% 1/10W		
842		D1	RESISTOR		R8013	1-218-720-11	METAL CHIP 15K 0.5% 1/10W		
843		D1	RESISTOR		R8014	1-218-732-11	METAL CHIP 47K 0.5% 1/10W		
844		D1	RESISTOR		R8015	1-218-736-11	METAL CHIP 68K 0.5% 1/10W		
845		D1	RESISTOR		R8016	1-218-752-11	METAL CHIP 330K 0.5% 1/10W		
846		D1	RESISTOR		R8017	1-216-864-11	SHORT CHIP 0		
847		D1	RESISTOR		R8018	1-216-833-11	METAL CHIP 10K 5% 1/10W		
848		D1	RESISTOR		R8019	1-218-740-11	METAL CHIP 100K 0.5% 1/10W		
849		D1	RESISTOR		R8020	1-218-692-11	METAL CHIP 1K 0.5% 1/10W		
850		D1	RESISTOR		R8021	1-218-752-11	METAL CHIP 330K 0.5% 1/10W		
851		D1	RESISTOR		R8022	1-216-816-11	METAL CHIP 390 5% 1/10W		
852		D1	RESISTOR		R8023	1-218-680-11	METAL CHIP 330 0.5% 1/10W		
853		D1	RESISTOR		R8024	1-218-663-11	METAL CHIP 62 0.5% 1/10W		
854		D1	RESISTOR		R8025	1-216-833-11	METAL CHIP 10K 5% 1/10W		
855		D1	RESISTOR		R8026	1-216-833-11	METAL CHIP 10K 5% 1/10W		
856		D1	RESISTOR		R8027	1-216-816-11	METAL CHIP 390 5% 1/10W		
857		D1	RESISTOR		R8028	1-216-816-11	METAL CHIP 390 5% 1/10W		
858		D1	RESISTOR		R8029	1-216-864-11	SHORT CHIP 0		
859		D1	RESISTOR		R8030	1-216-864-11	SHORT CHIP 0		
860		D1	TRANSFORMER		T8001	1-439-851-11	TRANSFORMER, INVERTER		
861		D1	TRANSFORMER		T8002	1-439-851-11	TRANSFORMER, INVERTER		
862		D1	TRANSFORMER		T8003	1-439-851-11	TRANSFORMER, INVERTER		
863		D1	TRANSFORMER		T8004	1-439-851-11	TRANSFORMER, INVERTER		
864		D1	TRANSFORMER		T8005	1-439-851-11	TRANSFORMER, INVERTER		
865		D1	TRANSFORMER		T8006	1-439-851-11	TRANSFORMER, INVERTER		
866		A	CAPACITOR		C2001	1-126-392-11	ELECT CHIP 100UF 20.00% 6.3V		
867		A	CAPACITOR		C2002	1-107-826-11	CERAMIC CHIP 0.1UF 10.00% 16V		
868		A	CAPACITOR		C2003	1-107-826-11	CERAMIC CHIP 0.1UF 10.00% 16V		
869		A	CAPACITOR		C2004	1-126-392-11	ELECT CHIP 100UF 20.00% 6.3V		
870		A	CAPACITOR		C2005	1-107-826-11	CERAMIC CHIP 0.1UF 10.00% 16V		
871		A	CAPACITOR		C2006	1-126-396-11	ELECT CHIP 47UF 20.00% 16V		
872		A	CAPACITOR		C2007	1-127-715-91	CERAMIC CHIP 0.22UF 10% 16V		
873		A	CAPACITOR		C2010	1-107-826-11	CERAMIC CHIP 0.1UF 10.00% 16V		
874		A	CAPACITOR		C2011	1-107-826-11	CERAMIC CHIP 0.1UF 10.00% 16V		
875		A	CAPACITOR		C2012	1-127-715-91	CERAMIC CHIP 0.22UF 10% 16V		
876		A	CAPACITOR		C2013	1-126-392-11	ELECT CHIP 100UF 20.00% 6.3V		

No.	#	Board	Type	Δ / [*]	Ref. No.	Part No.	Description	Remarks-1	Remarks-2
877		A	CAPACITOR		C2016	1-126-392-11	ELECT CHIP 100UF 20.00% 6.3V		
878		A	CAPACITOR		C2017	1-162-924-11	CERAMIC CHIP 56PF 5.00% 50V		
879		A	CAPACITOR		C2018	1-127-715-91	CERAMIC CHIP 0.22UF 10% 16V		
880		A	CAPACITOR		C2019	1-127-715-91	CERAMIC CHIP 0.22UF 10% 16V		
881		A	CAPACITOR		C2021	1-125-889-91	CERAMIC CHIP 2.2UF 10% 10V		
882		A	CAPACITOR		C2022	1-126-392-11	ELECT CHIP 100UF 20.00% 6.3V		
883		A	CAPACITOR		C2023	1-162-924-11	CERAMIC CHIP 56PF 5.00% 50V		
884		A	CAPACITOR		C2024	1-127-715-91	CERAMIC CHIP 0.22UF 10% 16V		
885		A	CAPACITOR		C2025	1-127-715-91	CERAMIC CHIP 0.22UF 10% 16V		
886		A	CAPACITOR		C2026	1-127-715-91	CERAMIC CHIP 0.22UF 10% 16V		
887		A	CAPACITOR		C2027	1-127-715-91	CERAMIC CHIP 0.22UF 10% 16V		
888		A	CAPACITOR		C2028	1-127-715-91	CERAMIC CHIP 0.22UF 10% 16V		
889		A	CAPACITOR		C2029	1-127-715-91	CERAMIC CHIP 0.22UF 10% 16V		
890		A	CAPACITOR		C2030	1-115-566-11	CERAMIC CHIP 4.7UF 10.00% 10V		
891		A	CAPACITOR		C2201	1-126-392-11	ELECT CHIP 100UF 20.00% 6.3V		
892		A	CAPACITOR		C2202	1-126-205-11	ELECT CHIP 47UF 20.00% 6.3V		
893		A	CAPACITOR		C2203	1-107-826-11	CERAMIC CHIP 0.1UF 10.00% 16V		
894		A	CAPACITOR		C2205	1-125-891-11	CERAMIC CHIP 0.47UF 10.00% 10V		
895		A	CAPACITOR		C2206	1-162-970-11	CERAMIC CHIP 0.01UF 10.00% 25V		
896		A	CAPACITOR		C2208	1-162-970-11	CERAMIC CHIP 0.01UF 10.00% 25V		
897		A	CAPACITOR		C2209	1-127-760-11	CERAMIC CHIP 4.7UF 10% 6.3V		
898		A	CAPACITOR		C2210	1-125-889-91	CERAMIC CHIP 2.2UF 10% 10V		
899		A	CAPACITOR		C2211	1-164-227-11	CERAMIC CHIP 0.022UF 10.00% 25V		
900		A	CAPACITOR		C2212	1-162-970-11	CERAMIC CHIP 0.01UF 10.00% 25V		
901		A	CAPACITOR		C2213	1-127-760-11	CERAMIC CHIP 4.7UF 10% 6.3V		
902		A	CAPACITOR		C2214	1-126-392-11	ELECT CHIP 100UF 20.00% 6.3V		
903		A	CAPACITOR		C2215	1-162-970-11	CERAMIC CHIP 0.01UF 10.00% 25V		
904		A	CAPACITOR		C2216	1-107-826-11	CERAMIC CHIP 0.1UF 10.00% 16V		
905		A	CAPACITOR		C2219	1-126-392-11	ELECT CHIP 100UF 20.00% 6.3V		
906		A	CAPACITOR		C2220	1-107-826-11	CERAMIC CHIP 0.1UF 10.00% 16V		
907		A	CAPACITOR		C2221	1-162-915-11	CERAMIC CHIP 10PF 0.50PF 50V		
908		A	CAPACITOR		C2222	1-126-392-11	ELECT CHIP 100UF 20.00% 6.3V		
909		A	CAPACITOR		C2223	1-162-970-11	CERAMIC CHIP 0.01UF 10.00% 25V		
910		A	CAPACITOR		C2224	1-126-205-11	ELECT CHIP 47UF 20.00% 6.3V		
911		A	CAPACITOR		C2225	1-124-779-00	ELECT CHIP 10UF 20.00% 16V		
912		A	CAPACITOR		C2226	1-107-826-11	CERAMIC CHIP 0.1UF 10.00% 16V		
913		A	CAPACITOR		C2227	1-107-826-11	CERAMIC CHIP 0.1UF 10.00% 16V		
914		A	CAPACITOR		C2228	1-107-826-11	CERAMIC CHIP 0.1UF 10.00% 16V		
915		A	CAPACITOR		C2229	1-107-826-11	CERAMIC CHIP 0.1UF 10.00% 16V		
916		A	CAPACITOR		C2230	1-162-970-11	CERAMIC CHIP 0.01UF 10.00% 25V		
917		A	CAPACITOR		C2231	1-127-715-91	CERAMIC CHIP 0.22UF 10% 16V		
918		A	CAPACITOR		C2233	1-162-970-11	CERAMIC CHIP 0.01UF 10.00% 25V		
919		A	CAPACITOR		C2234	1-125-891-11	CERAMIC CHIP 0.47UF 10.00% 10V		
920		A	CAPACITOR		C2235	1-125-891-11	CERAMIC CHIP 0.47UF 10.00% 10V		
921		A	CAPACITOR		C2236	1-127-760-11	CERAMIC CHIP 4.7UF 10% 6.3V		
922		A	CAPACITOR		C2238	1-164-156-11	CERAMIC CHIP 0.1UF 25V		
923		A	CAPACITOR		C2239	1-164-156-11	CERAMIC CHIP 0.1UF 25V		
924		A	CAPACITOR		C2240	1-164-156-11	CERAMIC CHIP 0.1UF 25V		
925		A	CAPACITOR		C2241	1-164-156-11	CERAMIC CHIP 0.1UF 25V		
926		A	CAPACITOR		C2242	1-115-566-11	CERAMIC CHIP 4.7UF 10.00% 10V		
927		A	CAPACITOR		C2243	1-125-891-11	CERAMIC CHIP 0.47UF 10.00% 10V		
928		A	CAPACITOR		C2244	1-127-715-91	CERAMIC CHIP 0.22UF 10% 16V		
929		A	CAPACITOR		C2245	1-126-396-11	ELECT CHIP 47UF 20.00% 16V		
930		A	CAPACITOR		C2246	1-164-156-11	CERAMIC CHIP 0.1UF 25V		
931		A	CAPACITOR		C2247	1-107-826-11	CERAMIC CHIP 0.1UF 10.00% 16V		
932		A	CAPACITOR		C2248	1-162-927-11	CERAMIC CHIP 100PF 5.00% 50V		
933		A	CAPACITOR		C2249	1-115-566-11	CERAMIC CHIP 4.7UF 10.00% 10V		
934		A	CAPACITOR		C2250	1-126-392-11	ELECT CHIP 100UF 20.00% 6.3V		
935		A	CAPACITOR		C2501	1-164-004-11	CERAMIC CHIP 0.1UF 10.00% 25V		
936		A	CAPACITOR		C2502	1-117-681-11	ELECT CHIP 100UF 20.00% 16V		
937		A	CAPACITOR		C2503	1-125-891-11	CERAMIC CHIP 0.47UF 10.00% 10V		
938		A	CAPACITOR		C2504	1-125-891-11	CERAMIC CHIP 0.47UF 10.00% 10V		
939		A	CAPACITOR		C2505	1-125-891-11	CERAMIC CHIP 0.47UF 10.00% 10V		
940		A	CAPACITOR		C2506	1-125-891-11	CERAMIC CHIP 0.47UF 10.00% 10V		
941		A	CAPACITOR		C2507	1-125-891-11	CERAMIC CHIP 0.47UF 10.00% 10V		
942		A	CAPACITOR		C2511	1-125-891-11	CERAMIC CHIP 0.47UF 10.00% 10V		
943		A	CAPACITOR		C2512	1-125-891-11	CERAMIC CHIP 0.47UF 10.00% 10V		
944		A	CAPACITOR		C2513	1-125-891-11	CERAMIC CHIP 0.47UF 10.00% 10V		
945		A	CAPACITOR		C2514	1-125-891-11	CERAMIC CHIP 0.47UF 10.00% 10V		
946		A	CAPACITOR		C2515	1-125-891-11	CERAMIC CHIP 0.47UF 10.00% 10V		
947		A	CAPACITOR		C2516	1-125-891-11	CERAMIC CHIP 0.47UF 10.00% 10V		
948		A	CAPACITOR		C2517	1-124-779-00	ELECT CHIP 10UF 20.00% 16V		
949		A	CAPACITOR		C2518	1-125-891-11	CERAMIC CHIP 0.47UF 10.00% 10V		

No.	#	Board	Type	Δ/V^*	Ref. No.	Part No.	Description	Remarks-1	Remarks-2
950		A	CAPACITOR		C2519	1-125-891-11	CERAMIC CHIP 0.47UF 10.00% 10V		
951		A	CAPACITOR		C2520	1-125-891-11	CERAMIC CHIP 0.47UF 10.00% 10V		
952		A	CAPACITOR		C2523	1-125-891-11	CERAMIC CHIP 0.47UF 10.00% 10V		
953		A	CAPACITOR		C2524	1-126-392-11	ELECT CHIP 100UF 20.00% 6.3V		
954		A	CAPACITOR		C2525	1-107-826-11	CERAMIC CHIP 0.1UF 10.00% 16V		
955		A	CAPACITOR		C2526	1-107-826-11	CERAMIC CHIP 0.1UF 10.00% 16V		
956		A	CAPACITOR		C2527	1-125-891-11	CERAMIC CHIP 0.47UF 10.00% 10V		
957		A	CAPACITOR		C2528	1-125-891-11	CERAMIC CHIP 0.47UF 10.00% 10V		
958		A	CAPACITOR		C2529	1-125-891-11	CERAMIC CHIP 0.47UF 10.00% 10V		
959		A	CAPACITOR		C2530	1-125-891-11	CERAMIC CHIP 0.47UF 10.00% 10V		
960		A	CAPACITOR		C2531	1-125-891-11	CERAMIC CHIP 0.47UF 10.00% 10V		
961		A	CAPACITOR		C2532	1-125-891-11	CERAMIC CHIP 0.47UF 10.00% 10V		
962		A	CAPACITOR		C2533	1-125-891-11	CERAMIC CHIP 0.47UF 10.00% 10V		
963		A	CAPACITOR		C2534	1-125-891-11	CERAMIC CHIP 0.47UF 10.00% 10V		
964		A	CAPACITOR		C7001	1-162-970-11	CERAMIC CHIP 0.01UF 10.00% 25V		
965		A	CAPACITOR		C7002	1-162-970-11	CERAMIC CHIP 0.01UF 10.00% 25V		
966		A	CAPACITOR		C7003	1-126-396-11	ELECT CHIP 47UF 20.00% 16V		
967		A	CAPACITOR		C7004	1-162-928-11	CERAMIC CHIP 120PF 5.00% 50V		
968		A	CAPACITOR		C7005	1-163-085-00	CERAMIC CHIP 2PF 0.25PF 50V		
969		A	CAPACITOR		C7006	1-163-085-00	CERAMIC CHIP 2PF 0.25PF 50V		
970		A	CAPACITOR		C7007	1-162-927-11	CERAMIC CHIP 100PF 5.00% 50V		
971		A	CAPACITOR		C7008	1-162-927-11	CERAMIC CHIP 100PF 5.00% 50V		
972		A	CAPACITOR		C7009	1-162-924-11	CERAMIC CHIP 56PF 5.00% 50V		
973		A	CAPACITOR		C7010	1-162-970-11	CERAMIC CHIP 0.01UF 10.00% 25V		
974		A	CAPACITOR		C7011	1-126-396-11	ELECT CHIP 47UF 20.00% 16V		
975		A	CAPACITOR		C7012	1-107-826-11	CERAMIC CHIP 0.1UF 10.00% 16V		
976		A	CAPACITOR		C7013	1-115-416-11	CERAMIC CHIP 0.001UF 5.00% 25V		
977		A	CAPACITOR		C7015	1-125-891-11	CERAMIC CHIP 0.47UF 10.00% 10V		
978		A	CAPACITOR		C7016	1-124-779-00	ELECT CHIP 10UF 20.00% 16V		
979		A	CAPACITOR		C7017	1-107-826-11	CERAMIC CHIP 0.1UF 10.00% 16V		
980		A	CAPACITOR		C7018	1-125-891-11	CERAMIC CHIP 0.47UF 10.00% 10V		
981		A	CAPACITOR		C7019	1-125-891-11	CERAMIC CHIP 0.47UF 10.00% 10V		
982		A	CAPACITOR		C7020	1-125-891-11	CERAMIC CHIP 0.47UF 10.00% 10V		
983		A	CAPACITOR		C7021	1-125-891-11	CERAMIC CHIP 0.47UF 10.00% 10V		
984		A	CAPACITOR		C7022	1-126-396-11	ELECT CHIP 47UF 20.00% 16V		
985		A	CAPACITOR		C7023	1-162-970-11	CERAMIC CHIP 0.01UF 10.00% 25V		
986		A	CAPACITOR		C7024	1-107-826-11	CERAMIC CHIP 0.1UF 10.00% 16V		
987		A	CAPACITOR		C7025	1-124-779-00	ELECT CHIP 10UF 20.00% 16V		
988		A	CAPACITOR		C7026	1-109-982-11	CERAMIC CHIP 1UF 10.00% 10V		
989		A	CAPACITOR		C7027	1-162-966-11	CERAMIC CHIP 0.0022UF 10.00% 50V		
990		A	CAPACITOR		C7028	1-124-779-00	ELECT CHIP 10UF 20.00% 16V		
991		A	CAPACITOR		C7029	1-124-779-00	ELECT CHIP 10UF 20.00% 16V		
992		A	CAPACITOR		C7030	1-164-346-11	CERAMIC CHIP 1UF 16V		
993		A	CAPACITOR		C7031	1-164-346-11	CERAMIC CHIP 1UF 16V		
994		A	CAPACITOR		C7032	1-162-966-11	CERAMIC CHIP 0.0022UF 10.00% 50V		
995		A	CAPACITOR		C7033	1-117-681-11	ELECT CHIP 100UF 20.00% 16V		
996		A	CAPACITOR		C7034	1-162-970-11	CERAMIC CHIP 0.01UF 10.00% 25V		
997		A	CAPACITOR		C7035	1-125-891-11	CERAMIC CHIP 0.47UF 10.00% 10V		
998		A	CAPACITOR		C7036	1-125-891-11	CERAMIC CHIP 0.47UF 10.00% 10V		
999		A	CAPACITOR		C7037	1-125-889-91	CERAMIC CHIP 2.2UF 10% 10V		
1000		A	CAPACITOR		C7038	1-125-889-91	CERAMIC CHIP 2.2UF 10% 10V		
1001		A	CAPACITOR		C7039	1-107-826-11	CERAMIC CHIP 0.1UF 10.00% 16V		
1002		A	CAPACITOR		C7040	1-107-826-11	CERAMIC CHIP 0.1UF 10.00% 16V		
1003		A	CAPACITOR		C7041	1-162-966-11	CERAMIC CHIP 0.0022UF 10.00% 50V		
1004		A	CAPACITOR		C7042	1-162-966-11	CERAMIC CHIP 0.0022UF 10.00% 50V		
1005		A	CAPACITOR		C7043	1-126-396-11	ELECT CHIP 47UF 20.00% 16V		
1006		A	CAPACITOR		C7044	1-164-315-11	CERAMIC CHIP 470PF 5.00% 50V		
1007		A	CAPACITOR		C7045	1-164-315-11	CERAMIC CHIP 470PF 5.00% 50V		
1008		A	CAPACITOR		C7046	1-126-396-11	ELECT CHIP 47UF 20.00% 16V		
1009		A	CAPACITOR		C7047	1-107-826-11	CERAMIC CHIP 0.1UF 10.00% 16V		
1010		A	CAPACITOR		C7049	1-107-826-11	CERAMIC CHIP 0.1UF 10.00% 16V		
1011		A	CAPACITOR		C7050	1-107-826-11	CERAMIC CHIP 0.1UF 10.00% 16V		
1012		A	CAPACITOR		C7051	1-107-826-11	CERAMIC CHIP 0.1UF 10.00% 16V		
1013		A	CAPACITOR		C7052	1-107-826-11	CERAMIC CHIP 0.1UF 10.00% 16V		
1014		A	CAPACITOR		C7053	1-125-889-91	CERAMIC CHIP 2.2UF 10% 10V		
1015		A	CAPACITOR		C7054	1-125-889-91	CERAMIC CHIP 2.2UF 10% 10V		
1016		A	CAPACITOR		C7055	1-125-889-91	CERAMIC CHIP 2.2UF 10% 10V		
1017		A	CAPACITOR		C7056	1-125-889-91	CERAMIC CHIP 2.2UF 10% 10V		
1018		A	CAPACITOR		C7059	1-127-692-11	CERAMIC CHIP 10UF 10% 16V		
1019		A	CAPACITOR		C7060	1-126-396-11	ELECT CHIP 47UF 20.00% 16V		
1020		A	CAPACITOR		C7061	1-125-889-91	CERAMIC CHIP 2.2UF 10% 10V		
1021		A	CAPACITOR		C7062	1-137-894-21	ELECT CHIP 470UF 20% 25V		
1022		A	CAPACITOR		C7064	1-107-826-11	CERAMIC CHIP 0.1UF 10.00% 16V		

No.	#	Board	Type	△/*	Ref. No.	Part No.	Description	Remarks-1	Remarks-2
1023		A	CAPACITOR		C7066	1-107-826-11	CERAMIC CHIP 0.1UF 10.00% 16V		
1024		A	CAPACITOR		C7067	1-162-968-11	CERAMIC CHIP 0.0047UF 10.00% 50V		
1025		A	CAPACITOR		C7068	1-162-966-11	CERAMIC CHIP 0.0022UF 10.00% 50V		
1026		A	CAPACITOR		C7069	1-162-966-11	CERAMIC CHIP 0.0022UF 10.00% 50V		
1027		A	CAPACITOR		C7070	1-126-396-11	ELECT CHIP 47UF 20.00% 16V		
1028		A	CAPACITOR		C7071	1-162-968-11	CERAMIC CHIP 0.0047UF 10.00% 50V		
1029		A	CAPACITOR		C7072	1-107-826-11	CERAMIC CHIP 0.1UF 10.00% 16V		
1030		A	CAPACITOR		C7076	1-164-173-11	CERAMIC CHIP 0.0039UF 10.00% 50V		
1031		A	CAPACITOR		C7077	1-125-889-91	CERAMIC CHIP 2.2UF 10% 10V		
1032		A	CAPACITOR		C7079	1-164-173-11	CERAMIC CHIP 0.0039UF 10.00% 50V		
1033		A	CAPACITOR		C7080	1-126-396-11	ELECT CHIP 47UF 20.00% 16V		
1034		A	CAPACITOR		C7081	1-126-396-11	ELECT CHIP 47UF 20.00% 16V		
1035		A	CAPACITOR		C7082	1-107-826-11	CERAMIC CHIP 0.1UF 10.00% 16V		
1036		A	CAPACITOR		C7083	1-162-968-11	CERAMIC CHIP 0.0047UF 10.00% 50V		
1037		A	CAPACITOR		C7084	1-162-968-11	CERAMIC CHIP 0.0047UF 10.00% 50V		
1038		A	CAPACITOR		C7085	1-164-173-11	CERAMIC CHIP 0.0039UF 10.00% 50V		
1039		A	CAPACITOR		C7086	1-164-173-11	CERAMIC CHIP 0.0039UF 10.00% 50V		
1040		A	CAPACITOR		C7088	1-115-339-11	CERAMIC CHIP 0.1UF 10.00% 50V		
1041		A	CAPACITOR		C7089	1-115-339-11	CERAMIC CHIP 0.1UF 10.00% 50V		
1042		A	CAPACITOR		C7090	1-128-526-11	ELECT 100UF 20.00% 25V		
1043		A	CAPACITOR		C7091	1-127-715-91	CERAMIC CHIP 0.22UF 10% 16V		
1044		A	CAPACITOR		C7092	1-107-826-11	CERAMIC CHIP 0.1UF 10.00% 16V		
1045		A	CAPACITOR		C7093	1-126-401-21	ELECT CHIP 1UF 20.00% 50V		
1046		A	CAPACITOR		C7094	1-127-715-91	CERAMIC CHIP 0.22UF 10% 16V		
1047		A	CAPACITOR		C7096	1-127-715-91	CERAMIC CHIP 0.22UF 10% 16V		
1048		A	CAPACITOR		C7097	1-128-526-11	ELECT 100UF 20.00% 25V		
1049		A	CAPACITOR		C7098	1-127-715-91	CERAMIC CHIP 0.22UF 10% 16V		
1050		A	CAPACITOR		C7100	1-115-339-11	CERAMIC CHIP 0.1UF 10.00% 50V		
1051		A	CAPACITOR		C7101	1-107-890-11	ELECT 2200UF 20.00% 25V		
1052		A	CAPACITOR		C7102	1-107-914-11	ELECT 1000UF 20.00% 50V		
1053		A	CAPACITOR		C7104	1-107-914-11	ELECT 1000UF 20.00% 50V		
1054		A	CAPACITOR		C7105	1-115-339-11	CERAMIC CHIP 0.1UF 10.00% 50V		
1055		A	CAPACITOR		C7122	1-127-573-11	CERAMIC CHIP 1UF 10% 16V		
1056		A	CAPACITOR		C7123	1-127-573-11	CERAMIC CHIP 1UF 10% 16V		
1057		A	CAPACITOR		C7125	1-125-889-91	CERAMIC CHIP 2.2UF 10% 10V		
1058		A	CAPACITOR		C7126	1-125-889-91	CERAMIC CHIP 2.2UF 10% 10V		
1059		A	CAPACITOR		C7127	1-127-715-91	CERAMIC CHIP 0.22UF 10% 16V		
1060		A	CAPACITOR		C7128	1-127-715-91	CERAMIC CHIP 0.22UF 10% 16V		
1061		A	CAPACITOR		C7129	1-126-396-11	ELECT CHIP 47UF 20.00% 16V		
1062		A	CAPACITOR		C7130	1-126-396-11	ELECT CHIP 47UF 20.00% 16V		
1063		A	CAPACITOR		C7131	1-126-396-11	ELECT CHIP 47UF 20.00% 16V		
1064		A	CAPACITOR		C7132	1-107-826-11	CERAMIC CHIP 0.1UF 10.00% 16V		
1065		A	CAPACITOR		C7135	1-128-536-11	ELECT CHIP 100UF 20.00% 25V		
1066		A	CAPACITOR		C8402	1-137-894-21	ELECT CHIP 470UF 20% 25V		
1067		A	CAPACITOR		C8403	1-137-894-21	ELECT CHIP 470UF 20% 25V		
1068		A	CAPACITOR		C8404	1-135-960-91	CERAMIC CHIP 10UF 10% 25V		
1069		A	CAPACITOR		C8405	1-135-960-91	CERAMIC CHIP 10UF 10% 25V		
1070		A	CAPACITOR		C8406	1-162-970-11	CERAMIC CHIP 0.01UF 10.00% 25V		
1071		A	CAPACITOR		C8407	1-137-894-21	ELECT CHIP 470UF 20% 25V		
1072		A	CAPACITOR		C8408	1-162-970-11	CERAMIC CHIP 0.01UF 10.00% 25V		
1073		A	CAPACITOR		C8409	1-162-970-11	CERAMIC CHIP 0.01UF 10.00% 25V		
1074		A	CAPACITOR		C8410	1-162-970-11	CERAMIC CHIP 0.01UF 10.00% 25V		
1075		A	CAPACITOR		C8411	1-162-926-11	CERAMIC CHIP 82PF 5.00% 50V		
1076		A	CAPACITOR		C8412	1-137-894-21	ELECT CHIP 470UF 20% 25V		
1077		A	CAPACITOR		C8413	1-164-227-11	CERAMIC CHIP 0.022UF 10.00% 25V		
1078		A	CAPACITOR		C8414	1-164-004-11	CERAMIC CHIP 0.1UF 10.00% 25V		
1079		A	CAPACITOR		C8415	1-115-340-11	CERAMIC CHIP 0.22UF 10.00% 25V		
1080		A	CAPACITOR		C8416	1-162-970-11	CERAMIC CHIP 0.01UF 10.00% 25V		
1081		A	CAPACITOR		C8417	1-164-245-11	CERAMIC CHIP 0.015UF 10.00% 25V		
1082		A	CAPACITOR		C8418	1-162-966-11	CERAMIC CHIP 0.0022UF 10.00% 50V		
1083		A	CAPACITOR		C8419	1-162-964-11	CERAMIC CHIP 0.001UF 10.00% 50V		
1084		A	CAPACITOR		C8420	1-162-969-11	CERAMIC CHIP 0.0068UF 10.00% 25V		
1085		A	CAPACITOR		C8422	1-162-968-11	CERAMIC CHIP 0.0047UF 10.00% 50V		
1086		A	CAPACITOR		C8423	1-127-760-11	CERAMIC CHIP 4.7UF 10% 6.3V		
1087		A	CAPACITOR		C8424	1-164-004-11	CERAMIC CHIP 0.1UF 10.00% 25V		
1088		A	CAPACITOR		C8425	1-164-004-11	CERAMIC CHIP 0.1UF 10.00% 25V		
1089		A	CAPACITOR		C8426	1-127-760-11	CERAMIC CHIP 4.7UF 10% 6.3V		
1090		A	CAPACITOR		C8427	1-127-760-11	CERAMIC CHIP 4.7UF 10% 6.3V		
1091		A	CAPACITOR		C8428	1-107-826-11	CERAMIC CHIP 0.1UF 10.00% 16V		
1092		A	CAPACITOR		C8429	1-164-156-11	CERAMIC CHIP 0.1UF 25V		
1093		A	CAPACITOR		C8430	1-127-573-11	CERAMIC CHIP 1UF 10% 16V		
1094		A	CAPACITOR		C8431	1-137-894-21	ELECT CHIP 470UF 20% 25V		
1095		A	CAPACITOR		C8432	1-127-738-91	CERAMIC CHIP 4.7UF 10% 25V		

No.	#	Board	Type	Δ / [*]	Ref. No.	Part No.	Description	Remarks-1	Remarks-2
1096		A	CAPACITOR		C8433	1-126-396-11	ELECT CHIP 47UF 20.00% 16V		
1097		A	CAPACITOR		C8434	1-107-826-11	CERAMIC CHIP 0.1UF 10.00% 16V		
1098		A	CAPACITOR		C8435	1-107-826-11	CERAMIC CHIP 0.1UF 10.00% 16V		
1099		A	CAPACITOR		C8436	1-126-396-11	ELECT CHIP 47UF 20.00% 16V		
1100		A	CAPACITOR		C8437	1-127-573-11	CERAMIC CHIP 1UF 10% 16V		
1101		A	CAPACITOR		C8438	1-128-361-11	ELECT CHIP 470UF 20.00% 10V		
1102		A	CAPACITOR		C8439	1-107-826-11	CERAMIC CHIP 0.1UF 10.00% 16V		
1103		A	CAPACITOR		C8440	1-135-960-91	CERAMIC CHIP 10UF 10% 25V		
1104		A	CAPACITOR		C8441	1-135-960-91	CERAMIC CHIP 10UF 10% 25V		
1105		A	CAPACITOR		C8442	1-127-573-11	CERAMIC CHIP 1UF 10% 16V		
1106		A	CAPACITOR		C8443	1-165-669-21	ELECT CHIP 220UF 20% 6.3V		
1107		A	CAPACITOR		C8444	1-135-346-21	ELECT CHIP 39UF 20% 16V		
1108		A	CAPACITOR		C8446	1-137-894-21	ELECT CHIP 470UF 20% 25V		
1109		A	CAPACITOR		C8448	1-127-573-11	CERAMIC CHIP 1UF 10% 16V		
1110		A	CAPACITOR		C8450	1-127-760-11	CERAMIC CHIP 4.7UF 10% 6.3V		
1111		A	CAPACITOR		C8451	1-162-970-11	CERAMIC CHIP 0.01UF 10.00% 25V		
1112		A	CAPACITOR		C8454	1-162-970-11	CERAMIC CHIP 0.01UF 10.00% 25V		
1113		A	CAPACITOR		C8455	1-162-970-11	CERAMIC CHIP 0.01UF 10.00% 25V		
1114		A	CAPACITOR		C8456	1-162-970-11	CERAMIC CHIP 0.01UF 10.00% 25V		
1115		A	CAPACITOR		C8457	1-162-970-11	CERAMIC CHIP 0.01UF 10.00% 25V		
1116		A	CAPACITOR		C8458	1-162-970-11	CERAMIC CHIP 0.01UF 10.00% 25V		
1117		A	CAPACITOR		C8459	1-162-970-11	CERAMIC CHIP 0.01UF 10.00% 25V		
1118		A	CAPACITOR		C8460	1-162-970-11	CERAMIC CHIP 0.01UF 10.00% 25V		
1119		A	CAPACITOR		C9001	1-162-927-11	CERAMIC CHIP 100PF 5.00% 50V		
1120		A	CAPACITOR		C9002	1-162-927-11	CERAMIC CHIP 100PF 5.00% 50V		
1121		A	CAPACITOR		C9003	1-162-927-11	CERAMIC CHIP 100PF 5.00% 50V		
1122		A	CAPACITOR		C9004	1-162-927-11	CERAMIC CHIP 100PF 5.00% 50V		
1123		A	CAPACITOR		C9005	1-162-927-11	CERAMIC CHIP 100PF 5.00% 50V		
1124		A	CAPACITOR		C9006	1-115-156-11	CERAMIC CHIP 1UF 10V		
1125		A	CAPACITOR		C9007	1-115-156-11	CERAMIC CHIP 1UF 10V		
1126		A	CAPACITOR		C9008	1-162-923-11	CERAMIC CHIP 47PF 5.00% 50V		
1127		A	CAPACITOR		C9009	1-162-923-11	CERAMIC CHIP 47PF 5.00% 50V		
1128		A	CAPACITOR		C9010	1-162-923-11	CERAMIC CHIP 47PF 5.00% 50V		
1129		A	CAPACITOR		C9011	1-162-923-11	CERAMIC CHIP 47PF 5.00% 50V		
1130		A	CAPACITOR		C9012	1-126-396-11	ELECT CHIP 47UF 20.00% 16V		
1131		A	CAPACITOR		C9013	1-126-396-11	ELECT CHIP 47UF 20.00% 16V		
1132		A	CAPACITOR		C9401	1-162-923-11	CERAMIC CHIP 47PF 5.00% 50V		
1133		A	CAPACITOR		C9402	1-162-923-11	CERAMIC CHIP 47PF 5.00% 50V		
1134		A	CAPACITOR		C9403	1-162-923-11	CERAMIC CHIP 47PF 5.00% 50V		
1135		A	CAPACITOR		C9404	1-162-923-11	CERAMIC CHIP 47PF 5.00% 50V		
1136		A	CAPACITOR		C9406	1-162-923-11	CERAMIC CHIP 47PF 5.00% 50V		
1137		A	CAPACITOR		C9407	1-162-923-11	CERAMIC CHIP 47PF 5.00% 50V		
1138		A	CAPACITOR		C9408	1-162-923-11	CERAMIC CHIP 47PF 5.00% 50V		
1139		A	CAPACITOR		C9409	1-162-923-11	CERAMIC CHIP 47PF 5.00% 50V		
1140		A	CAPACITOR		C9410	1-162-926-11	CERAMIC CHIP 82PF 5.00% 50V		
1141		A	CAPACITOR		C9411	1-125-891-11	CERAMIC CHIP 0.47UF 10.00% 10V		
1142		A	CAPACITOR		C9412	1-164-505-11	CERAMIC CHIP 2.2UF 16V		
1143		A	CAPACITOR		C9413	1-164-505-11	CERAMIC CHIP 2.2UF 16V		
1144		A	CAPACITOR		C9415	1-126-396-11	ELECT CHIP 47UF 20.00% 16V		
1145		A	CAPACITOR		C9416	1-126-396-11	ELECT CHIP 47UF 20.00% 16V		
1146		A	CAPACITOR		C9417	1-162-927-11	CERAMIC CHIP 100PF 5.00% 50V		
1147		A	CAPACITOR		C9418	1-162-927-11	CERAMIC CHIP 100PF 5.00% 50V		
1148		A	CAPACITOR		C9419	1-162-927-11	CERAMIC CHIP 100PF 5.00% 50V		
1149		A	CAPACITOR		C9420	1-125-891-11	CERAMIC CHIP 0.47UF 10.00% 10V		
1150		A	CAPACITOR		C9421	1-125-891-11	CERAMIC CHIP 0.47UF 10.00% 10V		
1151		A	CAPACITOR		C9422	1-125-891-11	CERAMIC CHIP 0.47UF 10.00% 10V		
1152		A	CAPACITOR		C9442	1-125-891-11	CERAMIC CHIP 0.47UF 10.00% 10V		
1153		A	CAPACITOR		C9443	1-125-891-11	CERAMIC CHIP 0.47UF 10.00% 10V		
1154		A	CAPACITOR		C9444	1-115-566-11	CERAMIC CHIP 4.7UF 10.00% 10V		
1155		A	CAPACITOR		C9445	1-115-566-11	CERAMIC CHIP 4.7UF 10.00% 10V		
1156		A	CAPACITOR		C9701	1-162-970-11	CERAMIC CHIP 0.01UF 10.00% 25V		
1157		A	CAPACITOR		C9702	1-117-681-11	ELECT CHIP 100UF 20.00% 16V		
1158		A	CAPACITOR		C9703	1-126-205-11	ELECT CHIP 47UF 20.00% 6.3V		
1159		A	CAPACITOR		C9704	1-107-826-11	CERAMIC CHIP 0.1UF 10.00% 16V		
1160		A	CAPACITOR		C9705	1-107-826-11	CERAMIC CHIP 0.1UF 10.00% 16V		
1161		A	CAPACITOR		C9707	1-162-927-11	CERAMIC CHIP 100PF 5.00% 50V		
1162		A	CAPACITOR		C9708	1-115-467-11	CERAMIC CHIP 0.22UF 10.00% 10V		
1163		A	CAPACITOR		C9709	1-162-970-11	CERAMIC CHIP 0.01UF 10.00% 25V		
1164		A	CAPACITOR		C9710	1-126-396-11	ELECT CHIP 47UF 20.00% 16V		
1165		A	CAPACITOR		C9711	1-115-340-11	CERAMIC CHIP 0.22UF 10.00% 25V		
1166		A	CAPACITOR		C9712	1-164-217-11	CERAMIC CHIP 150PF 5.00% 50V		
1167		A	CAPACITOR		C9713	1-115-340-11	CERAMIC CHIP 0.22UF 10.00% 25V		
1168		A	CAPACITOR		C9714	1-115-340-11	CERAMIC CHIP 0.22UF 10.00% 25V		

No.	#	Board	Type	△/*	Ref. No.	Part No.	Description	Remarks-1	Remarks-2
1169		A	CAPACITOR		C9715	1-126-404-11	ELECT CHIP 4.7UF 20.00% 50V		
1170		A	CAPACITOR		C9716	1-126-404-11	ELECT CHIP 4.7UF 20.00% 50V		
1171		A	LEAD PIN	*	CL7001	4-042-408-01	PIN, COATING LEAD		
1172		A	CONNECTOR		CN7001	1-573-290-21	PIN, CONNECTOR (1.5MM) (SMD)4P		
1173		A	CONNECTOR	*	CN7002	1-750-005-11	PIN, CONNECTOR (PC BOARD) 4P		
1174		A	CONNECTOR		CN8401	1-774-769-11	CONNECTOR, FFC/FPC 25P		
1175		A	CONNECTOR	*	CN8402	1-779-268-21	PIN, CONNECTOR (1.5MM)(SMD)11P		
1176		A	CONNECTOR		CN9401	1-695-935-11	CONNECTOR (SQUARE TYPE) 21P		
1177		A	CONNECTOR		CN9701	1-573-838-11	CONNECTOR, BOARD TO BOARD 6P		
1178		A	CONNECTOR		CN9702	1-573-838-11	CONNECTOR, BOARD TO BOARD 6P		
1179		A	CONNECTOR		CN9703	1-774-769-11	CONNECTOR, FFC/FPC 25P		
1180		A	CONNECTOR		CN9704	1-774-769-11	CONNECTOR, FFC/FPC 25P		
1181		A	DIODE		D2001	8-719-404-50	DIODE MA111-TX		
1182		A	DIODE		D7001	8-719-056-85	DIODE UDZ-TE-17-8.2B		
1183		A	DIODE		D7002	8-719-056-85	DIODE UDZ-TE-17-8.2B		
1184		A	DIODE		D7003	8-719-081-97	DIODE MMDL914T1		
1185		A	DIODE		D7004	8-719-081-97	DIODE MMDL914T1		
1186		A	DIODE		D7005	8-719-081-97	DIODE MMDL914T1		
1187		A	DIODE		D7006	8-719-081-97	DIODE MMDL914T1		
1188		A	DIODE		D7007	8-719-081-97	DIODE MMDL914T1		
1189		A	DIODE		D7009	8-719-081-97	DIODE MMDL914T1		
1190		A	DIODE		D8401	8-719-077-19	DIODE C10T03QL-11A		
1191		A	DIODE		D8403	8-719-080-41	DIODE RB063L-30TE25		
1192		A	DIODE		D8404	8-719-080-41	DIODE RB063L-30TE25		
1193		A	DIODE		D8406	8-719-068-71	DIODE PTZ-TE25-13A		
1194		A	DIODE		D8407	6-500-295-01	DIODE PTZ-TE25-5.6B		
1195		A	DIODE		D8408	8-719-081-34	DIODE RB160M-30TR		
1196		A	DIODE		D8409	8-719-081-34	DIODE RB160M-30TR		
1197		A	DIODE		D8410	8-719-036-94	DIODE RD5.6SB-T1		
1198		A	DIODE		D8411	8-719-081-99	DIODE MM3Z13VT1		
1199		A	DIODE		D8412	8-719-081-97	DIODE MMDL914T1		
1200		A	DIODE		D8413	8-719-081-97	DIODE MMDL914T1		
1201		A	DIODE		D8414	6-500-294-01	DIODE PTZ-TE25-3.9B		
1202		A	DIODE		D8415	8-719-068-71	DIODE PTZ-TE25-13A		
1203		A	DIODE		D8418	8-719-081-99	DIODE MM3Z13VT1		
1204		A	DIODE		D8420	8-719-404-50	DIODE MA111-TX		
1205		A	DIODE		D8421	8-719-404-50	DIODE MA111-TX		
1206		A	DIODE		D8422	8-719-404-50	DIODE MA111-TX		
1207		A	DIODE		D9001	8-719-069-60	DIODE UDZSTE-179.1B		
1208		A	DIODE		D9002	8-719-069-60	DIODE UDZSTE-179.1B		
1209		A	DIODE		D9003	8-719-069-60	DIODE UDZSTE-179.1B		
1210		A	DIODE		D9004	8-719-069-60	DIODE UDZSTE-179.1B		
1211		A	DIODE		D9005	8-719-069-60	DIODE UDZSTE-179.1B		
1212		A	DIODE		D9401	8-719-083-82	DIODE UDZS-TE17-12B		
1213		A	DIODE		D9402	8-719-069-60	DIODE UDZSTE-179.1B		
1214		A	DIODE		D9403	8-719-069-60	DIODE UDZSTE-179.1B		
1215		A	DIODE		D9404	8-719-069-60	DIODE UDZSTE-179.1B		
1216		A	DIODE		D9405	8-719-069-60	DIODE UDZSTE-179.1B		
1217		A	DIODE		D9406	8-719-069-60	DIODE UDZSTE-179.1B		
1218		A	DIODE		D9407	8-719-069-60	DIODE UDZSTE-179.1B		
1219		A	DIODE		D9408	8-719-069-60	DIODE UDZSTE-179.1B		
1220		A	DIODE		D9409	8-719-069-60	DIODE UDZSTE-179.1B		
1221		A	DIODE		D9410	8-719-069-60	DIODE UDZSTE-179.1B		
1222		A	DIODE		D9411	8-719-069-60	DIODE UDZSTE-179.1B		
1223		A	DIODE		D9412	8-719-069-60	DIODE UDZSTE-179.1B		
1224		A	DIODE		D9413	8-719-069-60	DIODE UDZSTE-179.1B		
1225		A	DIODE		D9423	8-719-069-60	DIODE UDZSTE-179.1B		
1226		A	DIODE		D9424	8-719-069-60	DIODE UDZSTE-179.1B		
1227		A	DIODE		D9425	8-719-069-60	DIODE UDZSTE-179.1B		
1228		A	DIODE		D9426	8-719-081-97	DIODE MMDL914T1		
1229		A	DIODE		D9701	8-719-404-50	DIODE MA111-TX		
1230		A	FUSE	△	F8401	1-576-233-11	FUSE 6.3A 250V		
1231		A	FUSE	△	F8403	1-576-415-21	FUSE 2A 32V		
1232		A	FUSE	△	F8404	1-576-415-21	FUSE 2A 32V		
1233		A	FUSE	△	F8405	1-576-731-21	IC LINK 2.5A 24V		
1234		A	FUSE	△	F8406	1-576-300-11	FUSE 8A 250V		
1235		A	FERRITE BEAD		FB2001	1-414-445-11	FERRITE 0UH		
1236		A	FERRITE BEAD		FB2002	1-469-775-21	FERRITE 0UH		
1237		A	FERRITE BEAD		FB7001	1-469-324-21	FERRITE 0UH		
1238		A	FERRITE BEAD		FB7003	1-469-324-21	FERRITE 0UH		
1239		A	FERRITE BEAD		FB8401	1-469-775-21	FERRITE 0UH		
1240		A	FERRITE BEAD		FB8402	1-469-775-21	FERRITE 0UH		
1241		A	FERRITE BEAD		FB9401	1-400-333-21	FERRITE 0UH		

No.	#	Board	Type	△/*	Ref. No.	Part No.	Description	Remarks-1	Remarks-2
1242		A	FUSE HOLDER		FH8401	1-533-223-11	FUSE HOLDER 0A 0V		
1243		A	FUSE HOLDER		FH8402	1-533-223-11	FUSE HOLDER 0A 0V		
1244		A	FUSE HOLDER		FH8403	1-533-223-11	FUSE HOLDER 0A 0V		
1245		A	FUSE HOLDER		FH8404	1-533-223-11	FUSE HOLDER 0A 0V		
1246		A	FILTER		FL7001	1-234-126-21	FERRITE 0UH		
1247		A	IC		IC2001	8-759-460-72	IC BA033FP-E2		
1248		A	IC		IC2002	8-759-714-06	IC M24C16-WMN6T(A)		
1249		A	IC		IC2003	6-702-515-01	IC SAA5665HL/M1D/0724		
1250		A	IC		IC2004	8-759-665-11	IC LM393DT		
1251		A	IC		IC2005	8-759-672-39	IC PST573IMT		
1252		A	IC		IC2006	8-759-271-86	IC TC7SH04FU		
1253		A	IC		IC2007	8-759-392-01	IC TC7SH86FU-TE85R		
1254		A	IC		IC2008	6-702-395-01	IC K6F2008V2E-YF70T		
1255		A	IC		IC2009	8-759-523-81	IC TC74VHC08FT(EL)		
1256		A	IC		IC2010	1-540-151-21	SOCKET, IC		
1257		A	IC		IC2201	8-752-107-30	IC CXA2163AQ-T6		
1258		A	IC		IC2202	6-701-173-01	IC MC74LVXT4053DTR2		
1259		A	IC		IC2203	8-759-257-87	IC MM1117XFBE		
1260		A	IC		IC2204	8-759-337-26	IC MM1115XFBE		
1261		A	IC		IC2205	8-759-366-35	IC TC4W66F(TE12R)		
1262		A	IC		IC2206	8-759-481-08	IC TC7SET02FU(TE85R)		
1263		A	IC		IC2501	8-752-089-33	IC CXA2069Q-TL		
1264		A	IC		IC7001	6-701-031-11	IC MSP3411G-QA-B11		
1265		A	IC		IC7002	8-759-198-31	IC UPC1093J-1-T		
1266		A	IC		IC7003	6-702-817-12	IC BD3869AF-E2		
1267		A	IC		IC7004	8-759-359-49	IC NJM3414AV(TE2)		
1268		A	IC		IC7005	8-759-278-58	IC NJM4558V-TE2		
1269		A	IC		IC7007	8-759-246-70	IC TA8216H		
1270		A	IC		IC7008	8-759-278-58	IC NJM4558V-TE2		
1271		A	IC		IC7009	8-759-278-58	IC NJM4558V-TE2		
1272		A	IC		IC7010	8-759-278-58	IC NJM4558V-TE2		
1273		A	IC		IC8401	6-704-407-01	IC PQ1CZ41H2ZPH		
1274		A	IC		IC8402	6-704-407-01	IC PQ1CZ41H2ZPH		
1275		A	IC		IC8403	6-702-510-01	IC TPS5120DBTR		
1276		A	IC		IC8404	6-700-830-01	IC KIA7809API		
1277		A	IC		IC9701	6-703-310-01	IC LA7995M-TLM		
1278		A	SOCKET		J8401	1-793-890-11	JACK, DC		
1279		A	SOCKET		J9001	1-770-054-11	TERMINAL BLOCK, S(LIGHT ANGLE)		
1280		A	SOCKET		J9002	1-794-623-11	JACK, PIN 2P		
1281		A	COIL		L2001	1-412-030-11	INDUCTOR 22UH		
1282		A	COIL		L2002	1-412-030-11	INDUCTOR 22UH		
1283		A	COIL		L2003	1-412-029-11	INDUCTOR 10UH		
1284		A	COIL		L2004	1-412-030-11	INDUCTOR 22UH		
1285		A	COIL		L2005	1-412-030-11	INDUCTOR 22UH		
1286		A	COIL		L2006	1-412-029-11	INDUCTOR 10UH		
1287		A	COIL		L2201	1-412-029-11	INDUCTOR 10UH		
1288		A	COIL		L2202	1-412-031-11	INDUCTOR 47UH		
1289		A	COIL		L2203	1-412-031-11	INDUCTOR 47UH		
1290		A	COIL		L2204	1-412-031-11	INDUCTOR 47UH		
1291		A	COIL		L2205	1-412-029-11	INDUCTOR 10UH		
1292		A	COIL		L2206	1-412-029-11	INDUCTOR 10UH		
1293		A	COIL		L2207	1-412-029-11	INDUCTOR 10UH		
1294		A	COIL		L2208	1-412-029-11	INDUCTOR 10UH		
1295		A	COIL		L2501	1-412-029-11	INDUCTOR 10UH		
1296		A	COIL		L2503	1-412-029-11	INDUCTOR 10UH		
1297		A	COIL		L7001	1-412-029-11	INDUCTOR 10UH		
1298		A	COIL		L7002	1-412-990-41	INDUCTOR 8.2UH		
1299		A	COIL		L7003	1-412-029-11	INDUCTOR 10UH		
1300		A	COIL		L7004	1-412-029-11	INDUCTOR 10UH		
1301		A	COIL		L7005	1-412-029-11	INDUCTOR 10UH		
1302		A	COIL		L7006	1-412-029-11	INDUCTOR 10UH		
1303		A	COIL		L7007	1-412-029-11	INDUCTOR 10UH		
1304		A	COIL		L7008	1-406-661-21	INDUCTOR 22UH		
1305		A	COIL		L7009	1-412-029-11	INDUCTOR 10UH		
1306		A	COIL		L8401	1-400-101-21	INDUCTOR 0UH		
1307		A	COIL		L8402	1-456-504-21	INDUCTOR 100UH		
1308		A	COIL		L8403	1-456-504-21	INDUCTOR 100UH		
1309		A	COIL		L8404	1-424-922-21	INDUCTOR 10UH		
1310		A	COIL		L8405	1-424-922-21	INDUCTOR 10UH		
1311		A	COIL		L8406	1-419-491-21	INDUCTOR 10UH		
1312		A	COIL		L9701	1-412-029-11	INDUCTOR 10UH		
1313		A	COIL		L9702	1-412-029-11	INDUCTOR 10UH		
1314		A	COIL		L9703	1-412-029-11	INDUCTOR 10UH		

No.	#	Board	Type	△/*	Ref. No.	Part No.	Description	Remarks-1	Remarks-2
1315		A	IC LINK	△	PS7001	1-533-674-11	IC LINK 0.5A 50V		
1316		A	IC LINK	△	PS7002	1-576-390-91	IC LINK 2.5A 50V		
1317		A	TRANSISTOR		Q2001	8-729-120-28	TRANSISTOR 2SC1623-L5L6		
1318		A	TRANSISTOR		Q2002	8-729-424-08	TRANSISTOR MUN2111		
1319		A	TRANSISTOR		Q2003	8-729-421-22	TRANSISTOR MUN2211		
1320		A	TRANSISTOR		Q2004	8-729-026-49	TRANSISTOR 2SA1037AK-T146-R		
1321		A	TRANSISTOR		Q2201	8-729-120-28	TRANSISTOR 2SC1623-L5L6		
1322		A	TRANSISTOR		Q2202	8-729-120-28	TRANSISTOR 2SC1623-L5L6		
1323		A	TRANSISTOR		Q2203	8-729-120-28	TRANSISTOR 2SC1623-L5L6		
1324		A	TRANSISTOR		Q2204	8-729-120-28	TRANSISTOR 2SC1623-L5L6		
1325		A	TRANSISTOR		Q2205	8-729-120-28	TRANSISTOR 2SC1623-L5L6		
1326		A	TRANSISTOR		Q2206	8-729-120-28	TRANSISTOR 2SC1623-L5L6		
1327		A	TRANSISTOR		Q2210	8-729-120-28	TRANSISTOR 2SC1623-L5L6		
1328		A	TRANSISTOR		Q2211	8-729-120-28	TRANSISTOR 2SC1623-L5L6		
1329		A	TRANSISTOR		Q2212	8-729-120-28	TRANSISTOR 2SC1623-L5L6		
1330		A	TRANSISTOR		Q2213	8-729-026-49	TRANSISTOR 2SA1037AK-T146-R		
1331		A	TRANSISTOR		Q2214	8-729-026-49	TRANSISTOR 2SA1037AK-T146-R		
1332		A	TRANSISTOR		Q2215	8-729-026-49	TRANSISTOR 2SA1037AK-T146-R		
1333		A	TRANSISTOR		Q2216	8-729-120-28	TRANSISTOR 2SC1623-L5L6		
1334		A	TRANSISTOR		Q2217	8-729-026-49	TRANSISTOR 2SA1037AK-T146-R		
1335		A	TRANSISTOR		Q2503	8-729-120-28	TRANSISTOR 2SC1623-L5L6		
1336		A	TRANSISTOR		Q2504	8-729-120-28	TRANSISTOR 2SC1623-L5L6		
1337		A	TRANSISTOR		Q2505	8-729-120-28	TRANSISTOR 2SC1623-L5L6		
1338		A	TRANSISTOR		Q2506	8-729-120-28	TRANSISTOR 2SC1623-L5L6		
1339		A	TRANSISTOR		Q2507	8-729-120-28	TRANSISTOR 2SC1623-L5L6		
1340		A	TRANSISTOR		Q2509	8-729-120-28	TRANSISTOR 2SC1623-L5L6		
1341		A	TRANSISTOR		Q7001	8-729-120-28	TRANSISTOR 2SC1623-L5L6		
1342		A	TRANSISTOR		Q7002	8-729-026-49	TRANSISTOR 2SA1037AK-T146-R		
1343		A	TRANSISTOR		Q7003	8-729-120-28	TRANSISTOR 2SC1623-L5L6		
1344		A	TRANSISTOR		Q7004	8-729-120-28	TRANSISTOR 2SC1623-L5L6		
1345		A	TRANSISTOR		Q7005	1-801-806-11	TRANSISTOR DTC144EKA		
1346		A	TRANSISTOR		Q7006	1-801-806-11	TRANSISTOR DTC144EKA		
1347		A	TRANSISTOR		Q7007	8-729-422-27	TRANSISTOR 2SD601A-Q		
1348		A	TRANSISTOR		Q7008	8-729-015-39	TRANSISTOR DTC323TK		
1349		A	TRANSISTOR		Q7009	8-729-015-39	TRANSISTOR DTC323TK		
1350		A	TRANSISTOR		Q7012	8-729-120-28	TRANSISTOR 2SC1623-L5L6		
1351		A	TRANSISTOR		Q7013	8-729-027-38	TRANSISTOR DTA144EKA-T146		
1352		A	TRANSISTOR		Q7014	1-801-806-11	TRANSISTOR DTC144EKA		
1353		A	TRANSISTOR		Q8401	8-729-900-53	TRANSISTOR DTC114EK		
1354		A	TRANSISTOR		Q8402	8-729-054-36	TRANSISTOR UPA1716G-E2		
1355		A	TRANSISTOR		Q8403	8-729-053-79	TRANSISTOR IRF7901D1-TR		
1356		A	TRANSISTOR		Q8404	8-729-053-79	TRANSISTOR IRF7901D1-TR		
1357		A	TRANSISTOR		Q8405	8-729-900-53	TRANSISTOR DTC114EK		
1358		A	TRANSISTOR		Q8406	8-729-054-36	TRANSISTOR UPA1716G-E2		
1359		A	TRANSISTOR		Q8407	8-729-026-49	TRANSISTOR 2SA1037AK-T146-R		
1360		A	TRANSISTOR		Q9001	8-729-015-39	TRANSISTOR DTC323TK		
1361		A	TRANSISTOR		Q9002	8-729-015-39	TRANSISTOR DTC323TK		
1362		A	TRANSISTOR		Q9005	8-729-026-49	TRANSISTOR 2SA1037AK-T146-R		
1363		A	TRANSISTOR		Q9701	8-729-120-28	TRANSISTOR 2SC1623-L5L6		
1364		A	TRANSISTOR		Q9702	8-729-026-49	TRANSISTOR 2SA1037AK-T146-R		
1365		A	TRANSISTOR		Q9703	8-729-026-49	TRANSISTOR 2SA1037AK-T146-R		
1366		A	TRANSISTOR		Q9704	1-801-806-11	TRANSISTOR DTC144EKA		
1367		A	RESISTOR		R2001	1-216-296-11	SHORT CHIP 0		
1368		A	RESISTOR		R2002	1-216-837-11	METAL CHIP 22K 5% 1/10W		
1369		A	RESISTOR		R2003	1-216-825-11	METAL CHIP 2.2K 5% 1/10W		
1370		A	RESISTOR		R2004	1-216-845-11	METAL CHIP 100K 5% 1/10W		
1371		A	RESISTOR		R2005	1-216-845-11	METAL CHIP 100K 5% 1/10W		
1372		A	RESISTOR		R2006	1-216-829-11	METAL CHIP 4.7K 5% 1/10W		
1373		A	RESISTOR		R2007	1-216-825-11	METAL CHIP 2.2K 5% 1/10W		
1374		A	RESISTOR		R2008	1-216-829-11	METAL CHIP 4.7K 5% 1/10W		
1375		A	RESISTOR		R2009	1-216-809-11	METAL CHIP 100 5% 1/10W		
1376		A	RESISTOR		R2010	1-216-809-11	METAL CHIP 100 5% 1/10W		
1377		A	RESISTOR		R2011	1-216-821-11	METAL CHIP 1K 5% 1/10W		
1378		A	RESISTOR		R2012	1-216-809-11	METAL CHIP 100 5% 1/10W		
1379		A	RESISTOR		R2013	1-216-843-11	METAL CHIP 68K 5% 1/10W		
1380		A	RESISTOR		R2014	1-216-833-11	METAL CHIP 10K 5% 1/10W		
1381		A	RESISTOR		R2015	1-216-833-11	METAL CHIP 10K 5% 1/10W		
1382		A	RESISTOR		R2016	1-216-845-11	METAL CHIP 100K 5% 1/10W		
1383		A	RESISTOR		R2017	1-216-833-11	METAL CHIP 10K 5% 1/10W		
1384		A	RESISTOR		R2018	1-216-809-11	METAL CHIP 100 5% 1/10W		
1385		A	RESISTOR		R2019	1-216-864-11	SHORT CHIP 0		
1386		A	RESISTOR		R2020	1-216-809-11	METAL CHIP 100 5% 1/10W		
1387		A	RESISTOR		R2021	1-216-864-11	SHORT CHIP 0		

No.	#	Board	Type	Δ/∇ *	Ref. No.	Part No.	Description	Remarks-1	Remarks-2
1388		A	RESISTOR		R2022	1-216-809-11	METAL CHIP 100 5% 1/10W		
1389		A	RESISTOR		R2023	1-216-809-11	METAL CHIP 100 5% 1/10W		
1390		A	RESISTOR		R2024	1-216-809-11	METAL CHIP 100 5% 1/10W		
1391		A	RESISTOR		R2025	1-216-809-11	METAL CHIP 100 5% 1/10W		
1392		A	RESISTOR		R2026	1-216-809-11	METAL CHIP 100 5% 1/10W		
1393		A	RESISTOR		R2027	1-216-809-11	METAL CHIP 100 5% 1/10W		
1394		A	RESISTOR		R2028	1-216-809-11	METAL CHIP 100 5% 1/10W		
1395		A	RESISTOR		R2029	1-216-829-11	METAL CHIP 4.7K 5% 1/10W		
1396		A	RESISTOR		R2030	1-216-817-11	METAL CHIP 470 5% 1/10W		
1397		A	RESISTOR		R2031	1-216-809-11	METAL CHIP 100 5% 1/10W		
1398		A	RESISTOR		R2032	1-216-809-11	METAL CHIP 100 5% 1/10W		
1399		A	RESISTOR		R2033	1-216-809-11	METAL CHIP 100 5% 1/10W		
1400		A	RESISTOR		R2034	1-216-809-11	METAL CHIP 100 5% 1/10W		
1401		A	RESISTOR		R2035	1-216-809-11	METAL CHIP 100 5% 1/10W		
1402		A	RESISTOR		R2036	1-216-809-11	METAL CHIP 100 5% 1/10W		
1403		A	RESISTOR		R2037	1-216-809-11	METAL CHIP 100 5% 1/10W		
1404		A	RESISTOR		R2038	1-216-809-11	METAL CHIP 100 5% 1/10W		
1405		A	RESISTOR		R2039	1-216-809-11	METAL CHIP 100 5% 1/10W		
1406		A	RESISTOR		R2040	1-216-809-11	METAL CHIP 100 5% 1/10W		
1407		A	RESISTOR		R2041	1-218-725-11	METAL CHIP 24K 5% 1/10W		
1408		A	RESISTOR		R2042	1-216-809-11	METAL CHIP 100 5% 1/10W		
1409		A	RESISTOR		R2043	1-216-809-11	METAL CHIP 100 5% 1/10W		
1410		A	RESISTOR		R2044	1-216-809-11	METAL CHIP 100 5% 1/10W		
1411		A	RESISTOR		R2045	1-216-809-11	METAL CHIP 100 5% 1/10W		
1412		A	RESISTOR		R2046	1-216-809-11	METAL CHIP 100 5% 1/10W		
1413		A	RESISTOR		R2047	1-216-809-11	METAL CHIP 100 5% 1/10W		
1414		A	RESISTOR		R2048	1-216-809-11	METAL CHIP 100 5% 1/10W		
1415		A	RESISTOR		R2049	1-216-809-11	METAL CHIP 100 5% 1/10W		
1416		A	RESISTOR		R2050	1-216-809-11	METAL CHIP 100 5% 1/10W		
1417		A	RESISTOR		R2051	1-216-809-11	METAL CHIP 100 5% 1/10W		
1418		A	RESISTOR		R2052	1-216-809-11	METAL CHIP 100 5% 1/10W		
1419		A	RESISTOR		R2054	1-216-809-11	METAL CHIP 100 5% 1/10W		
1420		A	RESISTOR		R2055	1-216-809-11	METAL CHIP 100 5% 1/10W		
1421		A	RESISTOR		R2056	1-216-809-11	METAL CHIP 100 5% 1/10W		
1422		A	RESISTOR		R2057	1-216-809-11	METAL CHIP 100 5% 1/10W		
1423		A	RESISTOR		R2058	1-216-809-11	METAL CHIP 100 5% 1/10W		
1424		A	RESISTOR		R2059	1-216-025-11	RES-CHIP 100 5% 1/10W		
1425		A	RESISTOR		R2060	1-216-803-11	METAL CHIP 33 5% 1/10W		
1426		A	RESISTOR		R2061	1-216-833-11	METAL CHIP 10K 5% 1/10W		
1427		A	RESISTOR		R2062	1-216-803-11	METAL CHIP 33 5% 1/10W		
1428		A	RESISTOR		R2063	1-216-803-11	METAL CHIP 33 5% 1/10W		
1429		A	RESISTOR		R2064	1-216-809-11	METAL CHIP 100 5% 1/10W		
1430		A	RESISTOR		R2065	1-216-810-11	METAL CHIP 120 5% 1/10W		
1431		A	RESISTOR		R2066	1-216-809-11	METAL CHIP 100 5% 1/10W		
1432		A	RESISTOR		R2067	1-216-833-11	METAL CHIP 10K 5% 1/10W		
1433		A	RESISTOR		R2068	1-216-841-11	METAL CHIP 47K 5% 1/10W		
1434		A	RESISTOR		R2069	1-216-810-11	METAL CHIP 120 5% 1/10W		
1435		A	RESISTOR		R2070	1-216-833-11	METAL CHIP 10K 5% 1/10W		
1436		A	RESISTOR		R2071	1-216-809-11	METAL CHIP 100 5% 1/10W		
1437		A	RESISTOR		R2072	1-216-809-11	METAL CHIP 100 5% 1/10W		
1438		A	RESISTOR		R2073	1-216-809-11	METAL CHIP 100 5% 1/10W		
1439		A	RESISTOR		R2074	1-216-809-11	METAL CHIP 100 5% 1/10W		
1440		A	RESISTOR		R2075	1-216-809-11	METAL CHIP 100 5% 1/10W		
1441		A	RESISTOR		R2076	1-216-809-11	METAL CHIP 100 5% 1/10W		
1442		A	RESISTOR		R2077	1-216-809-11	METAL CHIP 100 5% 1/10W		
1443		A	RESISTOR		R2078	1-216-864-11	SHORT CHIP 0		
1444		A	RESISTOR		R2079	1-216-809-11	METAL CHIP 100 5% 1/10W		
1445		A	RESISTOR		R2080	1-216-810-11	METAL CHIP 120 5% 1/10W		
1446		A	RESISTOR		R2082	1-216-833-11	METAL CHIP 10K 5% 1/10W		
1447		A	RESISTOR		R2083	1-216-833-11	METAL CHIP 10K 5% 1/10W		
1448		A	RESISTOR		R2084	1-216-833-11	METAL CHIP 10K 5% 1/10W		
1449		A	RESISTOR		R2085	1-216-833-11	METAL CHIP 10K 5% 1/10W		
1450		A	RESISTOR		R2086	1-216-833-11	METAL CHIP 10K 5% 1/10W		
1451		A	RESISTOR		R2087	1-216-295-91	SHORT CHIP 0		
1452		A	RESISTOR		R2088	1-216-864-11	SHORT CHIP 0		
1453		A	RESISTOR		R2089	1-216-829-11	METAL CHIP 4.7K 5% 1/10W		
1454		A	RESISTOR		R2090	1-216-833-11	METAL CHIP 10K 5% 1/10W		
1455		A	RESISTOR		R2091	1-216-809-11	METAL CHIP 100 5% 1/10W		
1456		A	RESISTOR		R2093	1-216-809-11	METAL CHIP 100 5% 1/10W		
1457		A	RESISTOR		R2094	1-216-809-11	METAL CHIP 100 5% 1/10W		
1458		A	RESISTOR		R2096	1-216-809-11	METAL CHIP 100 5% 1/10W		
1459		A	RESISTOR		R2098	1-216-809-11	METAL CHIP 100 5% 1/10W		
1460		A	RESISTOR		R2099	1-216-809-11	METAL CHIP 100 5% 1/10W		

No.	#	Board	Type	Δ/V^*	Ref. No.	Part No.	Description	Remarks-1	Remarks-2
1461		A	RESISTOR		R2100	1-216-809-11	METAL CHIP 100 5% 1/10W		
1462		A	RESISTOR		R2111	1-216-809-11	METAL CHIP 100 5% 1/10W		
1463		A	RESISTOR		R2113	1-216-864-11	SHORT CHIP 0		
1464		A	RESISTOR		R2201	1-218-847-11	METAL CHIP 1K 0.5% 1/10W		
1465		A	RESISTOR		R2202	1-218-847-11	METAL CHIP 1K 0.5% 1/10W		
1466		A	RESISTOR		R2203	1-218-847-11	METAL CHIP 1K 0.5% 1/10W		
1467		A	RESISTOR		R2204	1-218-847-11	METAL CHIP 1K 0.5% 1/10W		
1468		A	RESISTOR		R2205	1-218-847-11	METAL CHIP 1K 0.5% 1/10W		
1469		A	RESISTOR		R2206	1-218-847-11	METAL CHIP 1K 0.5% 1/10W		
1470		A	RESISTOR		R2207	1-216-823-11	METAL CHIP 1.5K 5% 1/10W		
1471		A	RESISTOR		R2208	1-216-823-11	METAL CHIP 1.5K 5% 1/10W		
1472		A	RESISTOR		R2209	1-216-823-11	METAL CHIP 1.5K 5% 1/10W		
1473		A	RESISTOR		R2210	1-216-853-11	METAL CHIP 470K 5% 1/10W		
1474		A	RESISTOR		R2211	1-216-853-11	METAL CHIP 470K 5% 1/10W		
1475		A	RESISTOR		R2212	1-216-853-11	METAL CHIP 470K 5% 1/10W		
1476		A	RESISTOR		R2213	1-216-853-11	METAL CHIP 470K 5% 1/10W		
1477		A	RESISTOR		R2214	1-216-853-11	METAL CHIP 470K 5% 1/10W		
1478		A	RESISTOR		R2215	1-216-853-11	METAL CHIP 470K 5% 1/10W		
1479		A	RESISTOR		R2216	1-216-809-11	METAL CHIP 100 5% 1/10W		
1480		A	RESISTOR		R2217	1-216-809-11	METAL CHIP 100 5% 1/10W		
1481		A	RESISTOR		R2218	1-216-809-11	METAL CHIP 100 5% 1/10W		
1482		A	RESISTOR		R2219	1-216-809-11	METAL CHIP 100 5% 1/10W		
1483		A	RESISTOR		R2220	1-216-809-11	METAL CHIP 100 5% 1/10W		
1484		A	RESISTOR		R2221	1-216-809-11	METAL CHIP 100 5% 1/10W		
1485		A	RESISTOR		R2223	1-216-821-11	METAL CHIP 1K 5% 1/10W		
1486		A	RESISTOR		R2225	1-216-821-11	METAL CHIP 1K 5% 1/10W		
1487		A	RESISTOR		R2227	1-216-821-11	METAL CHIP 1K 5% 1/10W		
1488		A	RESISTOR		R2228	1-218-881-11	METAL CHIP 27K 0.5% 1/10W		
1489		A	RESISTOR		R2229	1-216-855-11	METAL CHIP 680K 5% 1/10W		
1490		A	RESISTOR		R2230	1-216-828-11	METAL CHIP 3.9K 5% 1/10W		
1491		A	RESISTOR		R2234	1-216-855-11	METAL CHIP 680K 5% 1/10W		
1492		A	RESISTOR		R2235	1-218-847-11	METAL CHIP 1K 0.5% 1/10W		
1493		A	RESISTOR		R2238	1-218-867-11	METAL CHIP 6.8K 0.5% 1/10W		
1494		A	RESISTOR		R2239	1-216-809-11	METAL CHIP 100 5% 1/10W		
1495		A	RESISTOR		R2240	1-216-821-11	METAL CHIP 1K 5% 1/10W		
1496		A	RESISTOR		R2241	1-216-809-11	METAL CHIP 100 5% 1/10W		
1497		A	RESISTOR		R2242	1-216-821-11	METAL CHIP 1K 5% 1/10W		
1498		A	RESISTOR		R2243	1-216-821-11	METAL CHIP 1K 5% 1/10W		
1499		A	RESISTOR		R2244	1-216-821-11	METAL CHIP 1K 5% 1/10W		
1500		A	RESISTOR		R2245	1-216-809-11	METAL CHIP 100 5% 1/10W		
1501		A	RESISTOR		R2246	1-218-867-11	METAL CHIP 6.8K 0.5% 1/10W		
1502		A	RESISTOR		R2247	1-216-809-11	METAL CHIP 100 5% 1/10W		
1503		A	RESISTOR		R2248	1-216-809-11	METAL CHIP 100 5% 1/10W		
1504		A	RESISTOR		R2249	1-216-821-11	METAL CHIP 1K 5% 1/10W		
1505		A	RESISTOR		R2250	1-216-829-11	METAL CHIP 4.7K 5% 1/10W		
1506		A	RESISTOR		R2251	1-216-809-11	METAL CHIP 100 5% 1/10W		
1507		A	RESISTOR		R2252	1-216-809-11	METAL CHIP 100 5% 1/10W		
1508		A	RESISTOR		R2253	1-218-835-11	METAL CHIP 330 0.5% 1/10W		
1509		A	RESISTOR		R2254	1-218-841-11	METAL CHIP 560 0.5% 1/10W		
1510		A	RESISTOR		R2255	1-218-835-11	METAL CHIP 330 0.5% 1/10W		
1511		A	RESISTOR		R2256	1-218-841-11	METAL CHIP 560 0.5% 1/10W		
1512		A	RESISTOR		R2257	1-218-835-11	METAL CHIP 330 0.5% 1/10W		
1513		A	RESISTOR		R2258	1-218-843-11	METAL CHIP 680 0.5% 1/10W		
1514		A	RESISTOR		R2259	1-216-821-11	METAL CHIP 1K 5% 1/10W		
1515		A	RESISTOR		R2260	1-218-841-11	METAL CHIP 560 0.5% 1/10W		
1516		A	RESISTOR		R2263	1-218-841-11	METAL CHIP 560 0.5% 1/10W		
1517		A	RESISTOR		R2265	1-218-843-11	METAL CHIP 680 0.5% 1/10W		
1518		A	RESISTOR		R2266	1-216-813-11	METAL CHIP 220 5% 1/10W		
1519		A	RESISTOR		R2268	1-216-827-11	METAL CHIP 3.3K 5% 1/10W		
1520		A	RESISTOR		R2271	1-216-825-11	METAL CHIP 2.2K 5% 1/10W		
1521		A	RESISTOR		R2272	1-216-821-11	METAL CHIP 1K 5% 1/10W		
1522		A	RESISTOR		R2273	1-216-833-11	METAL CHIP 10K 5% 1/10W		
1523		A	RESISTOR		R2274	1-216-821-11	METAL CHIP 1K 5% 1/10W		
1524		A	RESISTOR		R2275	1-216-821-11	METAL CHIP 1K 5% 1/10W		
1525		A	RESISTOR		R2276	1-216-813-11	METAL CHIP 220 5% 1/10W		
1526		A	RESISTOR		R2277	1-216-813-11	METAL CHIP 220 5% 1/10W		
1527		A	RESISTOR		R2278	1-216-864-11	SHORT CHIP 0		
1528		A	RESISTOR		R2279	1-216-864-11	SHORT CHIP 0		
1529		A	RESISTOR		R2280	1-216-809-11	METAL CHIP 100 5% 1/10W		
1530		A	RESISTOR		R2282	1-216-823-11	METAL CHIP 1.5K 5% 1/10W		
1531		A	RESISTOR		R2283	1-216-809-11	METAL CHIP 100 5% 1/10W		
1532		A	RESISTOR		R2284	1-216-817-11	METAL CHIP 470 5% 1/10W		
1533		A	RESISTOR		R2285	1-216-809-11	METAL CHIP 100 5% 1/10W		

No.	#	Board	Type	Δ/∇ *	Ref. No.	Part No.	Description	Remarks-1	Remarks-2
1534		A	RESISTOR		R2508	1-216-809-11	METAL CHIP 100 5% 1/10W		
1535		A	RESISTOR		R2509	1-216-809-11	METAL CHIP 100 5% 1/10W		
1536		A	RESISTOR		R2512	1-216-809-11	METAL CHIP 100 5% 1/10W		
1537		A	RESISTOR		R2513	1-216-821-11	METAL CHIP 1K 5% 1/10W		
1538		A	RESISTOR		R2514	1-216-825-11	METAL CHIP 2.2K 5% 1/10W		
1539		A	RESISTOR		R2515	1-216-809-11	METAL CHIP 100 5% 1/10W		
1540		A	RESISTOR		R2516	1-216-825-11	METAL CHIP 2.2K 5% 1/10W		
1541		A	RESISTOR		R2517	1-216-821-11	METAL CHIP 1K 5% 1/10W		
1542		A	RESISTOR		R2518	1-216-821-11	METAL CHIP 1K 5% 1/10W		
1543		A	RESISTOR		R2519	1-216-809-11	METAL CHIP 100 5% 1/10W		
1544		A	RESISTOR		R2520	1-216-809-11	METAL CHIP 100 5% 1/10W		
1545		A	RESISTOR		R2521	1-216-817-11	METAL CHIP 470 5% 1/10W		
1546		A	RESISTOR		R2524	1-216-821-11	METAL CHIP 1K 5% 1/10W		
1547		A	RESISTOR		R2527	1-216-817-11	METAL CHIP 470 5% 1/10W		
1548		A	RESISTOR		R2529	1-216-821-11	METAL CHIP 1K 5% 1/10W		
1549		A	RESISTOR		R2531	1-216-821-11	METAL CHIP 1K 5% 1/10W		
1550		A	RESISTOR		R2532	1-216-821-11	METAL CHIP 1K 5% 1/10W		
1551		A	RESISTOR		R2533	1-216-817-11	METAL CHIP 470 5% 1/10W		
1552		A	RESISTOR		R2534	1-216-295-91	SHORT CHIP 0		
1553		A	RESISTOR		R2536	1-216-295-91	SHORT CHIP 0		
1554		A	RESISTOR		R2537	1-216-809-11	METAL CHIP 100 5% 1/10W		
1555		A	RESISTOR		R2538	1-216-809-11	METAL CHIP 100 5% 1/10W		
1556		A	RESISTOR		R7001	1-216-821-11	METAL CHIP 1K 5% 1/10W		
1557		A	RESISTOR		R7004	1-216-295-91	SHORT CHIP 0		
1558		A	RESISTOR		R7005	1-216-295-91	SHORT CHIP 0		
1559		A	RESISTOR		R7009	1-216-821-11	METAL CHIP 1K 5% 1/10W		
1560		A	RESISTOR		R7010	1-216-845-11	METAL CHIP 100K 5% 1/10W		
1561		A	RESISTOR		R7011	1-216-809-11	METAL CHIP 100 5% 1/10W		
1562		A	RESISTOR		R7012	1-216-864-11	SHORT CHIP 0		
1563		A	RESISTOR		R7013	1-216-809-11	METAL CHIP 100 5% 1/10W		
1564		A	RESISTOR		R7014	1-216-809-11	METAL CHIP 100 5% 1/10W		
1565		A	RESISTOR		R7015	1-216-864-11	SHORT CHIP 0		
1566		A	RESISTOR		R7016	1-216-829-11	METAL CHIP 4.7K 5% 1/10W		
1567		A	RESISTOR		R7017	1-216-829-11	METAL CHIP 4.7K 5% 1/10W		
1568		A	RESISTOR		R7018	1-216-864-11	SHORT CHIP 0		
1569		A	RESISTOR		R7022	1-216-835-11	METAL CHIP 15K 5% 1/10W		
1570		A	RESISTOR		R7023	1-216-835-11	METAL CHIP 15K 5% 1/10W		
1571		A	RESISTOR		R7024	1-216-841-11	METAL CHIP 47K 5% 1/10W		
1572		A	RESISTOR		R7025	1-216-809-11	METAL CHIP 100 5% 1/10W		
1573		A	RESISTOR		R7026	1-216-017-91	RES-CHIP 47 5% 1/10W		
1574		A	RESISTOR		R7027	1-216-017-91	RES-CHIP 47 5% 1/10W		
1575		A	RESISTOR		R7030	1-216-825-11	METAL CHIP 2.2K 5% 1/10W		
1576		A	RESISTOR		R7032	1-216-821-11	METAL CHIP 1K 5% 1/10W		
1577		A	RESISTOR		R7033	1-216-836-11	METAL CHIP 18K 5% 1/10W		
1578		A	RESISTOR		R7034	1-216-839-11	METAL CHIP 33K 5% 1/10W		
1579		A	RESISTOR		R7035	1-216-836-11	METAL CHIP 18K 5% 1/10W		
1580		A	RESISTOR		R7036	1-216-839-11	METAL CHIP 33K 5% 1/10W		
1581		A	RESISTOR		R7037	1-216-817-11	METAL CHIP 470 5% 1/10W		
1582		A	RESISTOR		R7038	1-216-817-11	METAL CHIP 470 5% 1/10W		
1583		A	RESISTOR		R7039	1-216-830-11	METAL CHIP 5.6K 5% 1/10W		
1584		A	RESISTOR		R7040	1-216-830-11	METAL CHIP 5.6K 5% 1/10W		
1585		A	RESISTOR		R7041	1-218-890-11	METAL CHIP 62K 0.5% 1/10W		
1586		A	RESISTOR		R7042	1-218-890-11	METAL CHIP 62K 0.5% 1/10W		
1587		A	RESISTOR		R7043	1-216-833-11	METAL CHIP 10K 5% 1/10W		
1588		A	RESISTOR		R7044	1-216-864-11	SHORT CHIP 0		
1589		A	RESISTOR		R7045	1-216-833-11	METAL CHIP 10K 5% 1/10W		
1590		A	RESISTOR		R7046	1-216-809-11	METAL CHIP 100 5% 1/10W		
1591		A	RESISTOR		R7047	1-216-833-11	METAL CHIP 10K 5% 1/10W		
1592		A	RESISTOR		R7048	1-216-852-11	METAL CHIP 390K 5% 1/10W		
1593		A	RESISTOR		R7049	1-216-852-11	METAL CHIP 390K 5% 1/10W		
1594		A	RESISTOR		R7050	1-216-809-11	METAL CHIP 100 5% 1/10W		
1595		A	RESISTOR		R7051	1-216-809-11	METAL CHIP 100 5% 1/10W		
1596		A	RESISTOR		R7052	1-216-830-11	METAL CHIP 5.6K 5% 1/10W		
1597		A	RESISTOR		R7053	1-216-830-11	METAL CHIP 5.6K 5% 1/10W		
1598		A	RESISTOR		R7054	1-216-864-11	SHORT CHIP 0		
1599		A	RESISTOR		R7057	1-216-833-11	METAL CHIP 10K 5% 1/10W		
1600		A	RESISTOR		R7058	1-216-833-11	METAL CHIP 10K 5% 1/10W		
1601		A	RESISTOR		R7059	1-216-864-11	SHORT CHIP 0		
1602		A	RESISTOR		R7060	1-216-833-11	METAL CHIP 10K 5% 1/10W		
1603		A	RESISTOR		R7061	1-216-833-11	METAL CHIP 10K 5% 1/10W		
1604		A	RESISTOR		R7062	1-216-864-11	SHORT CHIP 0		
1605		A	RESISTOR		R7063	1-216-837-11	METAL CHIP 22K 5% 1/10W		
1606		A	RESISTOR		R7064	1-216-841-11	METAL CHIP 47K 5% 1/10W		

No.	#	Board	Type	Δ/∇ *	Ref. No.	Part No.	Description	Remarks-1	Remarks-2
1607		A	RESISTOR		R7065	1-216-841-11	METAL CHIP 47K 5% 1/10W		
1608		A	RESISTOR		R7069	1-216-821-11	METAL CHIP 1K 5% 1/10W		
1609		A	RESISTOR		R7070	1-216-841-11	METAL CHIP 47K 5% 1/10W		
1610		A	RESISTOR		R7071	1-216-829-11	METAL CHIP 4.7K 5% 1/10W		
1611		A	RESISTOR		R7072	1-216-833-11	METAL CHIP 10K 5% 1/10W		
1612		A	RESISTOR		R7073	1-216-829-11	METAL CHIP 4.7K 5% 1/10W		
1613		A	RESISTOR		R7077	1-216-829-11	METAL CHIP 4.7K 5% 1/10W		
1614		A	RESISTOR		R7078	1-216-829-11	METAL CHIP 4.7K 5% 1/10W		
1615		A	RESISTOR		R7079	1-216-845-11	METAL CHIP 100K 5% 1/10W		
1616		A	RESISTOR		R7082	1-216-833-11	METAL CHIP 10K 5% 1/10W		
1617		A	RESISTOR		R7083	1-216-845-11	METAL CHIP 100K 5% 1/10W		
1618		A	RESISTOR		R7084	1-216-844-11	METAL CHIP 82K 5% 1/10W		
1619		A	RESISTOR		R7085	1-216-842-11	METAL CHIP 56K 5% 1/10W		
1620		A	RESISTOR		R7086	1-216-844-11	METAL CHIP 82K 5% 1/10W		
1621		A	RESISTOR		R7087	1-216-842-11	METAL CHIP 56K 5% 1/10W		
1622		A	RESISTOR		R7090	1-220-261-11	RES-CHIP 470 5% 1/4W		
1623		A	RESISTOR		R7091	1-220-261-11	RES-CHIP 470 5% 1/4W		
1624		A	RESISTOR		R7092	1-220-261-11	RES-CHIP 470 5% 1/4W		
1625		A	RESISTOR		R7093	1-220-261-11	RES-CHIP 470 5% 1/4W		
1626		A	RESISTOR		R7094	1-216-841-11	METAL CHIP 47K 5% 1/10W		
1627		A	RESISTOR		R7095	1-216-841-11	METAL CHIP 47K 5% 1/10W		
1628		A	RESISTOR		R7096	1-216-829-11	METAL CHIP 4.7K 5% 1/10W		
1629		A	RESISTOR		R7097	1-216-829-11	METAL CHIP 4.7K 5% 1/10W		
1630		A	RESISTOR		R7098	1-216-864-11	SHORT CHIP 0		
1631		A	RESISTOR		R7099	1-216-864-11	SHORT CHIP 0		
1632		A	RESISTOR		R7100	1-216-845-11	METAL CHIP 100K 5% 1/10W		
1633		A	RESISTOR		R7102	1-216-864-11	SHORT CHIP 0		
1634		A	RESISTOR		R7103	1-216-864-11	SHORT CHIP 0		
1635		A	RESISTOR		R7104	1-216-864-11	SHORT CHIP 0		
1636		A	RESISTOR		R7105	1-216-845-11	METAL CHIP 100K 5% 1/10W		
1637		A	RESISTOR		R7106	1-216-844-11	METAL CHIP 82K 5% 1/10W		
1638		A	RESISTOR		R7107	1-216-844-11	METAL CHIP 82K 5% 1/10W		
1639		A	RESISTOR		R7108	1-216-833-11	METAL CHIP 10K 5% 1/10W		
1640		A	RESISTOR		R7110	1-216-833-11	METAL CHIP 10K 5% 1/10W		
1641		A	RESISTOR		R7111	1-216-840-11	METAL CHIP 39K 5% 1/10W		
1642		A	RESISTOR		R7112	1-216-840-11	METAL CHIP 39K 5% 1/10W		
1643		A	RESISTOR		R7113	1-216-840-11	METAL CHIP 39K 5% 1/10W		
1644		A	RESISTOR		R7114	1-216-840-11	METAL CHIP 39K 5% 1/10W		
1645		A	RESISTOR		R7117	1-216-864-11	SHORT CHIP 0		
1646		A	RESISTOR		R7119	1-216-833-11	METAL CHIP 10K 5% 1/10W		
1647		A	RESISTOR		R7120	1-216-833-11	METAL CHIP 10K 5% 1/10W		
1648		A	RESISTOR		R7121	1-216-833-11	METAL CHIP 10K 5% 1/10W		
1649		A	RESISTOR		R7122	1-216-833-11	METAL CHIP 10K 5% 1/10W		
1650		A	RESISTOR		R7123	1-216-842-11	METAL CHIP 56K 5% 1/10W		
1651		A	RESISTOR		R7124	1-216-845-11	METAL CHIP 100K 5% 1/10W		
1652		A	RESISTOR		R7125	1-216-842-11	METAL CHIP 56K 5% 1/10W		
1653		A	RESISTOR		R7126	1-216-845-11	METAL CHIP 100K 5% 1/10W		
1654		A	RESISTOR		R7128	1-216-296-11	SHORT CHIP 0		
1655		A	RESISTOR		R7129	1-220-230-11	RES-CHIP 2.2 10% 1/4W		
1656		A	RESISTOR		R7130	1-220-230-11	RES-CHIP 2.2 10% 1/4W		
1657		A	RESISTOR		R7155	1-216-864-11	SHORT CHIP 0		
1658		A	RESISTOR		R7157	1-216-833-11	METAL CHIP 10K 5% 1/10W		
1659		A	RESISTOR		R7160	1-216-864-11	SHORT CHIP 0		
1660		A	RESISTOR		R7161	1-216-864-11	SHORT CHIP 0		
1661		A	RESISTOR		R7170	1-216-833-11	METAL CHIP 10K 5% 1/10W		
1662		A	RESISTOR		R7171	1-216-833-11	METAL CHIP 10K 5% 1/10W		
1663		A	RESISTOR		R7172	1-216-841-11	METAL CHIP 47K 5% 1/10W		
1664		A	RESISTOR		R7173	1-216-841-11	METAL CHIP 47K 5% 1/10W		
1665		A	RESISTOR		R7174	1-216-837-11	METAL CHIP 22K 5% 1/10W		
1666		A	RESISTOR		R7175	1-216-845-11	METAL CHIP 100K 5% 1/10W		
1667		A	RESISTOR		R7176	1-216-837-11	METAL CHIP 22K 5% 1/10W		
1668		A	RESISTOR		R7177	1-216-845-11	METAL CHIP 100K 5% 1/10W		
1669		A	RESISTOR		R7180	1-216-864-11	SHORT CHIP 0		
1670		A	RESISTOR		R7183	1-216-864-11	SHORT CHIP 0		
1671		A	RESISTOR		R7184	1-216-296-11	SHORT CHIP 0		
1672		A	RESISTOR		R7185	1-216-864-11	SHORT CHIP 0		
1673		A	RESISTOR		R7186	1-216-296-11	SHORT CHIP 0		
1674		A	RESISTOR		R7187	1-216-296-11	SHORT CHIP 0		
1675		A	RESISTOR		R7188	1-216-296-11	SHORT CHIP 0		
1676		A	RESISTOR		R7189	1-216-833-11	METAL CHIP 10K 5% 1/10W		
1677		A	RESISTOR		R7190	1-216-845-11	METAL CHIP 100K 5% 1/10W		
1678		A	RESISTOR		R7191	1-216-829-11	METAL CHIP 4.7K 5% 1/10W		
1679		A	RESISTOR		R8401	1-216-295-91	SHORT CHIP 0		

No.	#	Board	Type	△/*	Ref. No.	Part No.	Description	Remarks-1	Remarks-2
1680		A	RESISTOR		R8402	1-216-821-11	METAL CHIP 1K 5% 1/10W		
1681		A	RESISTOR		R8403	1-216-295-91	SHORT CHIP 0		
1682		A	RESISTOR		R8404	1-216-841-11	METAL CHIP 47K 5% 1/10W		
1683		A	RESISTOR		R8405	1-216-295-91	SHORT CHIP 0		
1684		A	RESISTOR		R8406	1-216-295-91	SHORT CHIP 0		
1685		A	RESISTOR		R8407	1-218-873-11	METAL CHIP 12K 0.5% 1/10W		
1686		A	RESISTOR		R8408	1-218-862-11	METAL CHIP 4.3K 0.5% 1/10W		
1687		A	RESISTOR		R8410	1-216-841-11	METAL CHIP 47K 5% 1/10W		
1688		A	RESISTOR		R8411	1-216-841-11	METAL CHIP 47K 5% 1/10W		
1689		A	RESISTOR		R8412	1-218-868-11	METAL CHIP 7.5K 0.5% 1/10W		
1690		A	RESISTOR		R8413	1-216-864-11	SHORT CHIP 0		
1691		A	RESISTOR		R8414	1-216-864-11	SHORT CHIP 0		
1692		A	RESISTOR		R8415	1-216-821-11	METAL CHIP 1K 5% 1/10W		
1693		A	RESISTOR		R8416	1-216-829-11	METAL CHIP 4.7K 5% 1/10W		
1694		A	RESISTOR		R8417	1-216-845-11	METAL CHIP 100K 5% 1/10W		
1695		A	RESISTOR		R8418	1-218-871-11	METAL CHIP 10K 0.5% 1/10W		
1696		A	RESISTOR		R8419	1-218-867-11	METAL CHIP 6.8K 0.5% 1/10W		
1697		A	RESISTOR		R8420	1-218-855-11	METAL CHIP 2.2K 0.5% 1/10W		
1698		A	RESISTOR		R8421	1-218-837-11	METAL CHIP 390 0.5% 1/10W		
1699		A	RESISTOR		R8422	1-218-878-11	METAL CHIP 20K 0.5% 1/10W		
1700		A	RESISTOR		R8423	1-216-847-11	METAL CHIP 150K 5% 1/10W		
1701		A	RESISTOR		R8424	1-218-872-11	METAL CHIP 11K 0.5% 1/10W		
1702		A	RESISTOR		R8425	1-218-850-11	METAL CHIP 1.3K 0.5% 1/10W		
1703		A	RESISTOR		R8426	1-218-883-11	METAL CHIP 33K 0.5% 1/10W		
1704		A	RESISTOR		R8427	1-218-861-11	METAL CHIP 3.9K 0.5% 1/10W		
1705		A	RESISTOR		R8428	1-218-850-11	METAL CHIP 1.3K 0.5% 1/10W		
1706		A	RESISTOR		R8429	1-218-889-11	METAL CHIP 56K 0.5% 1/10W		
1707		A	RESISTOR		R8432	1-218-887-11	METAL CHIP 47K 0.5% 1/10W		
1708		A	RESISTOR		R8433	1-218-887-11	METAL CHIP 47K 0.5% 1/10W		
1709		A	RESISTOR		R8434	1-218-906-11	METAL CHIP 300K 0.5% 1/10W		
1710		A	RESISTOR		R8435	1-216-839-11	METAL CHIP 33K 5% 1/10W		
1711		A	RESISTOR		R8436	1-216-295-91	SHORT CHIP 0		
1712		A	RESISTOR		R8437	1-216-295-91	SHORT CHIP 0		
1713		A	RESISTOR		R8438	1-216-295-91	SHORT CHIP 0		
1714		A	RESISTOR		R8441	1-216-808-11	METAL CHIP 82 5% 1/10W		
1715		A	RESISTOR		R8442	1-216-803-11	METAL CHIP 33 5% 1/10W		
1716		A	RESISTOR		R8443	1-216-295-91	SHORT CHIP 0		
1717		A	RESISTOR		R8444	1-216-847-11	METAL CHIP 150K 5% 1/10W		
1718		A	RESISTOR		R8445	1-216-839-11	METAL CHIP 33K 5% 1/10W		
1719		A	RESISTOR		R8446	1-216-864-11	SHORT CHIP 0		
1720		A	RESISTOR		R8447	1-216-864-11	SHORT CHIP 0		
1721		A	RESISTOR		R8449	1-216-864-11	SHORT CHIP 0		
1722		A	RESISTOR		R8450	1-216-864-11	SHORT CHIP 0		
1723		A	RESISTOR		R8452	1-216-845-11	METAL CHIP 100K 5% 1/10W		
1724		A	RESISTOR		R8453	1-216-847-11	METAL CHIP 150K 5% 1/10W		
1725		A	RESISTOR		R8454	1-216-837-11	METAL CHIP 22K 5% 1/10W		
1726		A	RESISTOR		R8455	1-216-837-11	METAL CHIP 22K 5% 1/10W		
1727		A	RESISTOR		R8456	1-218-865-11	METAL CHIP 5.6K 0.5% 1/10W		
1728		A	RESISTOR		R8457	1-216-837-11	METAL CHIP 22K 5% 1/10W		
1729		A	RESISTOR		R8458	1-216-833-11	METAL CHIP 10K 5% 1/10W		
1730		A	RESISTOR		R8460	1-216-295-91	SHORT CHIP 0		
1731		A	RESISTOR		R9001	1-216-815-11	METAL CHIP 330 5% 1/10W		
1732		A	RESISTOR		R9002	1-216-864-11	SHORT CHIP 0		
1733		A	RESISTOR		R9003	1-216-864-11	SHORT CHIP 0		
1734		A	RESISTOR		R9004	1-216-813-11	METAL CHIP 220 5% 1/10W		
1735		A	RESISTOR		R9005	1-216-815-11	METAL CHIP 330 5% 1/10W		
1736		A	RESISTOR		R9006	1-216-813-11	METAL CHIP 220 5% 1/10W		
1737		A	RESISTOR		R9007	1-216-853-11	METAL CHIP 470K 5% 1/10W		
1738		A	RESISTOR		R9008	1-216-813-11	METAL CHIP 220 5% 1/10W		
1739		A	RESISTOR		R9009	1-216-022-00	RES-CHIP 75 5% 1/10W		
1740		A	RESISTOR		R9010	1-216-853-11	METAL CHIP 470K 5% 1/10W		
1741		A	RESISTOR		R9011	1-216-813-11	METAL CHIP 220 5% 1/10W		
1742		A	RESISTOR		R9013	1-216-813-11	METAL CHIP 220 5% 1/10W		
1743		A	RESISTOR		R9014	1-216-813-11	METAL CHIP 220 5% 1/10W		
1744		A	RESISTOR		R9015	1-216-815-11	METAL CHIP 330 5% 1/10W		
1745		A	RESISTOR		R9016	1-216-815-11	METAL CHIP 330 5% 1/10W		
1746		A	RESISTOR		R9017	1-216-841-11	METAL CHIP 47K 5% 1/10W		
1747		A	RESISTOR		R9018	1-216-841-11	METAL CHIP 47K 5% 1/10W		
1748		A	RESISTOR		R9025	1-216-853-11	METAL CHIP 470K 5% 1/10W		
1749		A	RESISTOR		R9026	1-216-864-11	SHORT CHIP 0		
1750		A	RESISTOR		R9027	1-216-821-11	METAL CHIP 1K 5% 1/10W		
1751		A	RESISTOR		R9029	1-216-821-11	METAL CHIP 1K 5% 1/10W		
1752		A	RESISTOR		R9031	1-216-864-11	SHORT CHIP 0		

No.	#	Board	Type	Δ /*	Ref. No.	Part No.	Description	Remarks-1	Remarks-2
1753		A	RESISTOR		R9032	1-216-864-11	SHORT CHIP 0		
1754		A	RESISTOR		R9401	1-216-813-11	METAL CHIP 220 5% 1/10W		
1755		A	RESISTOR		R9402	1-216-813-11	METAL CHIP 220 5% 1/10W		
1756		A	RESISTOR		R9403	1-216-813-11	METAL CHIP 220 5% 1/10W		
1757		A	RESISTOR		R9404	1-218-285-11	METAL CHIP 75 5% 1/10W		
1758		A	RESISTOR		R9405	1-218-285-11	METAL CHIP 75 5% 1/10W		
1759		A	RESISTOR		R9406	1-218-285-11	METAL CHIP 75 5% 1/10W		
1760		A	RESISTOR		R9407	1-216-022-00	RES-CHIP 75 5% 1/10W		
1761		A	RESISTOR		R9408	1-216-815-11	METAL CHIP 330 5% 1/10W		
1762		A	RESISTOR		R9409	1-216-815-11	METAL CHIP 330 5% 1/10W		
1763		A	RESISTOR		R9410	1-216-815-11	METAL CHIP 330 5% 1/10W		
1764		A	RESISTOR		R9411	1-216-815-11	METAL CHIP 330 5% 1/10W		
1765		A	RESISTOR		R9412	1-218-285-11	METAL CHIP 75 5% 1/10W		
1766		A	RESISTOR		R9413	1-216-809-11	METAL CHIP 100 5% 1/10W		
1767		A	RESISTOR		R9414	1-216-837-11	METAL CHIP 22K 5% 1/10W		
1768		A	RESISTOR		R9415	1-216-841-11	METAL CHIP 47K 5% 1/10W		
1769		A	RESISTOR		R9416	1-216-853-11	METAL CHIP 470K 5% 1/10W		
1770		A	RESISTOR		R9417	1-216-841-11	METAL CHIP 47K 5% 1/10W		
1771		A	RESISTOR		R9418	1-216-853-11	METAL CHIP 470K 5% 1/10W		
1772		A	RESISTOR		R9419	1-216-809-11	METAL CHIP 100 5% 1/10W		
1773		A	RESISTOR		R9420	1-216-809-11	METAL CHIP 100 5% 1/10W		
1774		A	RESISTOR		R9421	1-216-809-11	METAL CHIP 100 5% 1/10W		
1775		A	RESISTOR		R9422	1-216-809-11	METAL CHIP 100 5% 1/10W		
1776		A	RESISTOR		R9423	1-216-834-11	METAL CHIP 12K 5% 1/10W		
1777		A	RESISTOR		R9424	1-216-809-11	METAL CHIP 100 5% 1/10W		
1778		A	RESISTOR		R9425	1-216-825-11	METAL CHIP 2.2K 5% 1/10W		
1779		A	RESISTOR		R9426	1-216-825-11	METAL CHIP 2.2K 5% 1/10W		
1780		A	RESISTOR		R9427	1-216-809-11	METAL CHIP 100 5% 1/10W		
1781		A	RESISTOR		R9428	1-216-809-11	METAL CHIP 100 5% 1/10W		
1782		A	RESISTOR		R9452	1-216-809-11	METAL CHIP 100 5% 1/10W		
1783		A	RESISTOR		R9453	1-216-809-11	METAL CHIP 100 5% 1/10W		
1784		A	RESISTOR		R9454	1-216-809-11	METAL CHIP 100 5% 1/10W		
1785		A	RESISTOR		R9455	1-216-022-00	RES-CHIP 75 5% 1/10W		
1786		A	RESISTOR		R9701	1-216-033-00	RES-CHIP 220 5% 1/10W		
1787		A	RESISTOR		R9702	1-216-817-11	METAL CHIP 470 5% 1/10W		
1788		A	RESISTOR		R9703	1-216-033-00	RES-CHIP 220 5% 1/10W		
1789		A	RESISTOR		R9704	1-216-033-00	RES-CHIP 220 5% 1/10W		
1790		A	RESISTOR		R9705	1-216-001-00	RES-CHIP 10 5% 1/10W		
1791		A	RESISTOR		R9706	1-216-035-00	RES-CHIP 270 5% 1/10W		
1792		A	RESISTOR		R9707	1-216-841-11	METAL CHIP 47K 5% 1/10W		
1793		A	RESISTOR		R9708	1-216-853-11	METAL CHIP 470K 5% 1/10W		
1794		A	RESISTOR		R9709	1-216-839-11	METAL CHIP 33K 5% 1/10W		
1795		A	RESISTOR		R9710	1-216-839-11	METAL CHIP 33K 5% 1/10W		
1796		A	RESISTOR		R9711	1-216-833-11	METAL CHIP 10K 5% 1/10W		
1797		A	RESISTOR		R9714	1-216-864-11	SHORT CHIP 0		
1798		A	RESISTOR		R9715	1-216-825-11	METAL CHIP 2.2K 5% 1/10W		
1799		A	RESISTOR		R9716	1-216-809-11	METAL CHIP 100 5% 1/10W		
1800		A	RESISTOR		R9717	1-216-864-11	SHORT CHIP 0		
1801		A	SWITCH		S9001	1-692-431-21	SWITCH, TACTILE		
1802		A	CRYSTAL		X2001	1-767-654-21	VIBRATOR, CRYSTAL		
1803		A	CRYSTAL		X2201	1-781-914-21	VIBRATOR, CRYSTAL		
1804		A	CRYSTAL		X7001	1-795-612-11	VIBRATOR, CRYSTAL		
1805		H1	CAPACITOR		C1501	1-107-826-11	CERAMIC CHIP 0.1UF 10.00% 16V		
1806		H1	CAPACITOR		C1504	1-107-826-11	CERAMIC CHIP 0.1UF 10.00% 16V		
1807		H1	CONNECTOR		CN1501	1-580-056-21	PIN, CONNECTOR (SMD) 3P		
1808		H1	RESISTOR		R1501	1-216-813-11	METAL CHIP 220 5% 1/10W		
1809		H1	RESISTOR		R1502	1-216-817-11	METAL CHIP 470 5% 1/10W		
1810		H1	RESISTOR		R1503	1-218-457-11	METAL CHIP 910 5% 1/10W		
1811		H1	RESISTOR		R1504	1-216-826-11	METAL CHIP 2.7K 5% 1/10W		
1812		H1	SWITCH		S1501	1-572-595-11	SWITCH, TACTIL (REFLOW TYPE)		
1813		H1	SWITCH		S1502	1-572-595-11	SWITCH, TACTIL (REFLOW TYPE)		
1814		H1	SWITCH		S1503	1-572-595-11	SWITCH, TACTIL (REFLOW TYPE)		
1815		H1	SWITCH		S1504	1-572-595-11	SWITCH, TACTIL (REFLOW TYPE)		
1816		H1	SWITCH		S1505	1-572-595-11	SWITCH, TACTIL (REFLOW TYPE)		
1817		H1	SWITCH		S1508	1-572-595-11	SWITCH, TACTIL (REFLOW TYPE)		
1818		H3	CAPACITOR		C1651	1-162-966-11	CERAMIC CHIP 0.0022UF 10.00% 50V		
1819		H3	CAPACITOR		C1652	1-119-667-11	CERAMIC CHIP 22UF 10V		
1820		H3	CONNECTOR	*	CN1601	1-580-789-21	PIN, CONNECTOR (SMD) 6P		
1821		H3	DIODE		D1651	8-719-036-94	DIODE RD5.6SB-T1		
1822		H3	DIODE		D1652	8-719-064-06	DIODE SML-020MVT-T87		
1823		H3	DIODE		D1656	8-719-064-07	DIODE SML-310LTT86		
1824		H3	IC		IC1651	8-759-515-60	IC RS-20		
1825		H3	TRANSISTOR		Q1601	8-729-900-53	TRANSISTOR DTC114EK		

No.	#	Board	Type	Δ / [*]	Ref. No.	Part No.	Description	Remarks-1	Remarks-2
1826		H3	TRANSISTOR		Q1602	8-729-900-53	TRANSISTOR DTC114EK		
1827		H3	TRANSISTOR		Q1603	8-729-900-53	TRANSISTOR DTC114EK		
1828		H3	RESISTOR		R1603	1-216-828-11	METAL CHIP 3.9K 5% 1/10W		
1829		H3	RESISTOR		R1604	1-216-823-11	METAL CHIP 1.5K 5% 1/10W		
1830		H3	RESISTOR		R1605	1-216-820-11	METAL CHIP 820 5% 1/10W		
1831		H3	RESISTOR		R1651	1-216-817-11	METAL CHIP 470 5% 1/10W		
1832		H3	RESISTOR		R1652	1-216-805-11	METAL CHIP 47 5% 1/10W		
1833		TU	CAPACITOR		C6404	1-115-339-11	CERAMIC CHIP 0.1UF 10.00% 50V		
1834		TU	CAPACITOR		C6405	1-164-156-11	CERAMIC CHIP 0.1UF 25V		
1835		TU	CAPACITOR		C6406	1-162-923-11	CERAMIC CHIP 47PF 5.00% 50V		
1836		TU	CAPACITOR		C6407	1-164-156-11	CERAMIC CHIP 0.1UF 25V		
1837		TU	CAPACITOR		C6408	1-164-156-11	CERAMIC CHIP 0.1UF 25V		
1838		TU	CAPACITOR		C6409	1-162-966-11	CERAMIC CHIP 0.0022UF 10.00% 50V		
1839		TU	CONNECTOR		CN6401	1-573-820-11	CONNECTOR, BOARD TO BOARD 6P		
1840		TU	CONNECTOR		CN6402	1-573-820-11	CONNECTOR, BOARD TO BOARD 6P		
1841		TU	COIL		L6401	1-412-987-31	INDUCTOR 4.7UH		
1842		TU	COIL		L6402	1-412-987-31	INDUCTOR 4.7UH		
1843		TU	COIL		L6403	1-412-987-31	INDUCTOR 4.7UH		
1844		TU	COIL		L6404	1-412-989-11	INDUCTOR 6.8UH		
1845		TU	TRANSISTOR		Q6401	8-729-026-49	TRANSISTOR 2SA1037AK-T146-R		
1846		TU	TRANSISTOR		Q6402	8-729-026-49	TRANSISTOR 2SA1037AK-T146-R		
1847		TU	RESISTOR		R6401	1-216-864-11	SHORT CHIP 0		
1848		TU	RESISTOR		R6402	1-216-864-11	SHORT CHIP 0		
1849		TU	RESISTOR		R6403	1-216-864-11	SHORT CHIP 0		
1850		TU	RESISTOR		R6405	1-216-864-11	SHORT CHIP 0		
1851		TU	RESISTOR		R6406	1-216-809-11	METAL CHIP 100 5% 1/10W		
1852		TU	RESISTOR		R6407	1-216-809-11	METAL CHIP 100 5% 1/10W		
1853		TU	RESISTOR		R6408	1-216-821-11	METAL CHIP 1K 5% 1/10W		
1854		TU	RESISTOR		R6409	1-216-809-11	METAL CHIP 100 5% 1/10W		
1855		TU	RESISTOR		R6410	1-216-821-11	METAL CHIP 1K 5% 1/10W		
1856		TU	TUNER		TU6401	8-598-536-20	FRONTEND BTF-EF412		
1857		H2	CAPACITOR		C7601	1-164-227-11	CERAMIC CHIP 0.022UF 10.00% 25V		
1858		H2	CAPACITOR		C7602	1-164-227-11	CERAMIC CHIP 0.022UF 10.00% 25V		
1859		H2	CAPACITOR		C7603	1-162-927-11	CERAMIC CHIP 100PF 5.00% 50V		
1860		H2	CAPACITOR		C7604	1-162-927-11	CERAMIC CHIP 100PF 5.00% 50V		
1861		H2	CONNECTOR		CN7601	1-580-057-11	PIN, CONNECTOR (SMD) 4P		
1862		H2	DIODE		D7601	8-719-062-19	DIODE MA3200WA-TX		
1863		H2	DIODE		D7602	8-719-062-19	DIODE MA3200WA-TX		
1864		H2	SOCKET		J7601	1-794-392-11	JACK		
1865		H2	RESISTOR		R7601	1-216-797-11	METAL CHIP 10 5% 1/10W		
1866		H2	RESISTOR		R7602	1-216-797-11	METAL CHIP 10 5% 1/10W		
1867		H2	RESISTOR		R7604	1-216-864-11	SHORT CHIP 0		

